

A1726

Explosion-proof Junction Box



Zone 1	Zone 2	Zone 21	Zone 22	IP67	NEMA 6
---------------	---------------	----------------	----------------	-------------	---------------

Protection	Standards
• Ex db IIC T6 Gb	IEC 60079-0
• Ex tb IIIC T80°C Db	IEC 60079-1
• II 2 G Ex db IIC T6 Gb	IEC 60079-31
• II 2 D Ex tb IIIC T80°C Db	EN 60079-0
	EN 60079-1
	EN 60079-31

Net Weight: 3.1 kg (6.8 lb)

Technical Data

Rated Voltage	600V
Rated Current	30A
Connection Terminal	Max. 6
Cable Rated Temperature	≥ 60°C
Ambient Temperature	-20°C~+55°C
Degree of Protection	IP67 / NEMA 6
Cable OD Range	NPT1/2" hole --- 6.5~14.0mm NPT3/4" hole --- 11.0~20.0mm NPT1" hole --- 17.0~26.3mm NPT1-1/4" hole --- 22.0~32.2mm NPT1-1/2" hole --- 29.5~38.2mm
The cross sectional area of wire Terminal Block Module 1 (Spring Clamp Connection) Fine-stranded conductor Solid conductor	0.5 ~ 6 mm ² (20 ~ 10 AWG) ※Stripping length 11~13mm 0.5 ~ 6 mm ² (20 ~ 10 AWG) ※Stripping length 11~13mm
Terminal Block Module 2 (Screw Connection) Fine-stranded conductor Solid conductor	0.34 ~ 5.5 mm ² (22 ~ 10 AWG) ※Stripping length 11~13mm 0.34 ~ 5.5 mm ² (22 ~ 10 AWG) ※Stripping length 11~13mm
Material • Enclosure • Screw Plug • Connectors • O-ring (Gasket)	Aluminum alloy Aluminum alloy Stainless steel Silicone
Entrance Thread	The box body provides two types of threads : NPT 1-1/2" or NPT 1" Three additional threads can be provided by connector : NPT 1-1/4" or NPT 3/4" or NPT 1/2"

Model Code

THT	2J	1726	W	6	A	A	A	A	A	A
			①	②	③	④	⑤	⑥	⑦	⑧

① Terminal Type

W=Terminal type 1
D=Terminal type 2

③ Tank Holder A Thread

A=No hole, B=1-1/2"
C=1-1/4", D=1"

⑤ Tank holder C Thread

A=No hole, D=1"
E=3/4", F=1/2"

⑦ Tank holder E Thread

A=No hole, D=1"
E=3/4", F=1/2"

② Quantity of Terminal

1=1 pcs, 2=2 pcs, 3=3 pcs
4=4 pcs, 5=5 pcs, 6=6 pcs

④ Tank holder B Thread

A=No hole, B=1-1/2"
C=1-1/4", D=1"

⑥ Tank holder D Thread

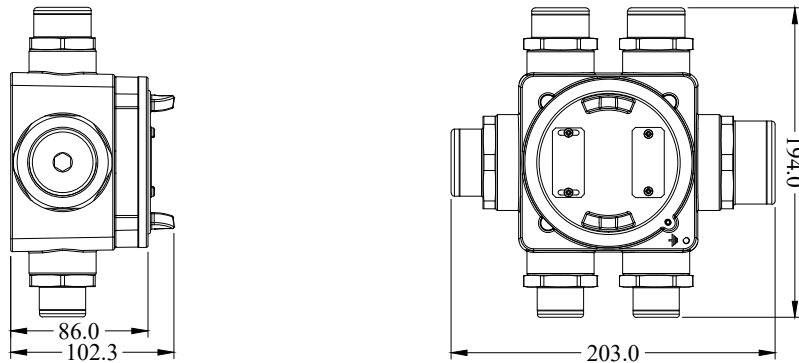
A=No hole, D=1"
E=3/4", F=1/2"

⑧ Tank holder F Thread

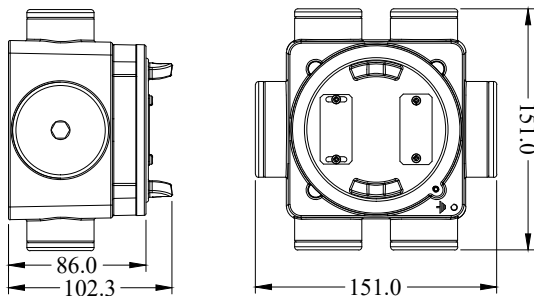
A=No hole, D=1"
E=3/4", F=1/2"

Mounting Option & Dimensions (All in mm)

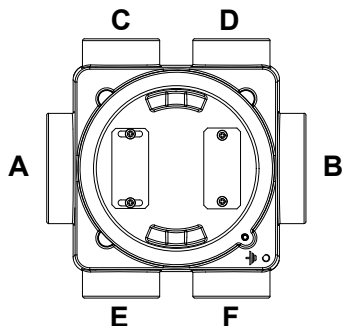
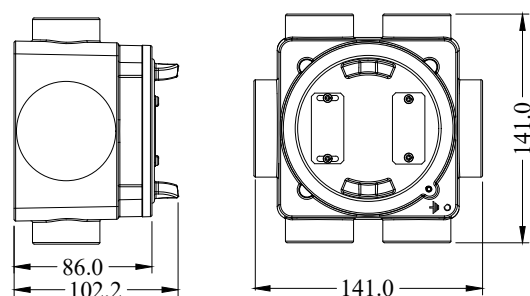
Junction Box with Connector



Junction Box without Connector
(Thread holes locked by Plug)



Junction Box without Holes



Thread hole type and option

Thread hole A、B

Without Connector: NPT1-1/2" or no threads hole
With Connector: NPT1-1/4" or NPT1" (Option)
Without thread hole: Tank thread hole will be blocked

Thread hole C、D、E、F

Without Connector: NPT1" or no threads hole
With Connector: NPT3/4" or NPT1/2" (Option)
Without thread hole: Tank thread hole will be blocked