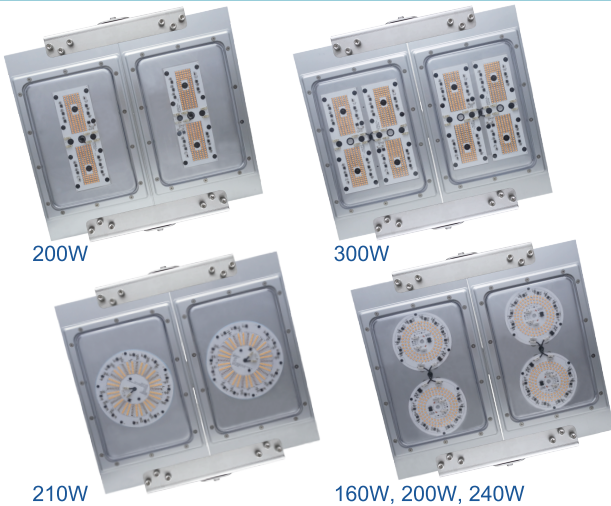


L1403L 【Dual Module】

Universal Explosion-proof LED Lighting



Protection

- Ex nR IIC T4...T6 Gc
- Ex tb IIIC T110°C...T85°C Db
- Ⓜ II 3 G Ex nR IIC T4...T6 Gc
- Ⓜ II 2 D Ex tb IIIC T110°C...T85°C Db

Standards

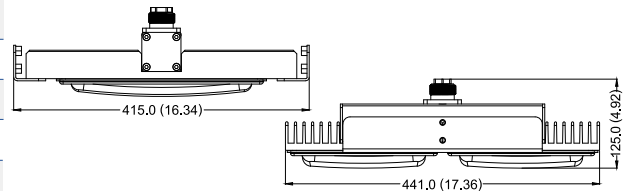
- IEC 60079-0
- IEC 60079-15
- IEC 60079-31
- EN 60079-0
- EN 60079-15
- EN 60079-31

Net Weight: 10.2 kg (22.5 lb)



Technical Data

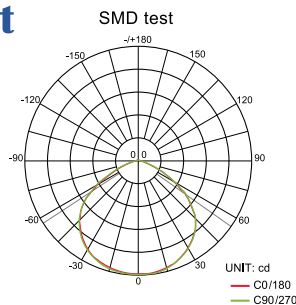
Rated Voltage (±10%)	110V / 220V / 230V / 277V AC											
Watts (±10%)	Circle SMD:160W / 200W / 210W / 240W ; Rectangle SMD: 200W / 300W											
Amps	160W 110V: 1.45A, 220V: 0.73A, 230V: 0.70A, 277V: 0.58A 200W 110V: 1.82A, 220V: 0.91A, 230V: 0.87A, 277V: 0.72A 210W 110V: 1.91A, 220V: 0.95A, 230V: 0.91A, 277V: 0.76A 240W 110V: 2.18A, 220V: 1.09A, 230V: 1.04A, 277V: 0.87A 300W 110V: 2.73A, 220V: 1.36A, 230V: 1.30A, 277V: 1.08A											
Color of LED Light	Circle SMD: 3000K (Warm White) / 5000K (Cool White) Rectangle SMD: 2700K (Warm White) / 6500K (Cool White)											
Ambient Temperature	-20°C ~ +40°C, T5 / -20°C ~ +55°C, T4											
Power Factor	cos ≥ 0.9											
CRI	Cool White ≥ 70 / Warm White ≥ 80											
Lumen (±10%)	Clear PC Cover	160W	200W	210W	240W	300W	Diffuser	160W	200W	210W	240W	300W
	3000K	16800lm	21000lm	19900lm	25200lm	33300lm	3000K	15100lm	18900lm	17900lm	22600lm	29900lm
	5000K	19200lm	24000lm	21000lm	28300lm	36000lm	5000K	17200lm	21600lm	18900lm	25400lm	32400lm
Beam Angle	X-117° / Y-117°											
Frequency	50 / 60 Hz											
Degree of Protection	IP67 / NEMA 6											
Material • Enclosure	Aluminum alloy											
LED Service Life	60,000 hrs											



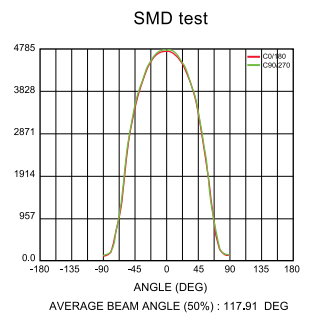
Dimension in Millimeters (inches)

Optical Report

Polar Luminous Intensity Distribution



Luminous Intensity Distribution Diagram



Model Code

THT	H	1403	D	C	H	C	9	30	C90
					①	②	③	④	⑤

① **Type of LED module**

H=Rectangle SMD type LED

K=Circle SMD type LED

③ **Voltage**

1=110V, 2=220V

D=230V, 9=277V

⑤ **Mounting Bracket Type**

H90=Hanging mount 90°

P90=Pendant mount

② **C.C.T.**

C=Cool White

W=Warm White

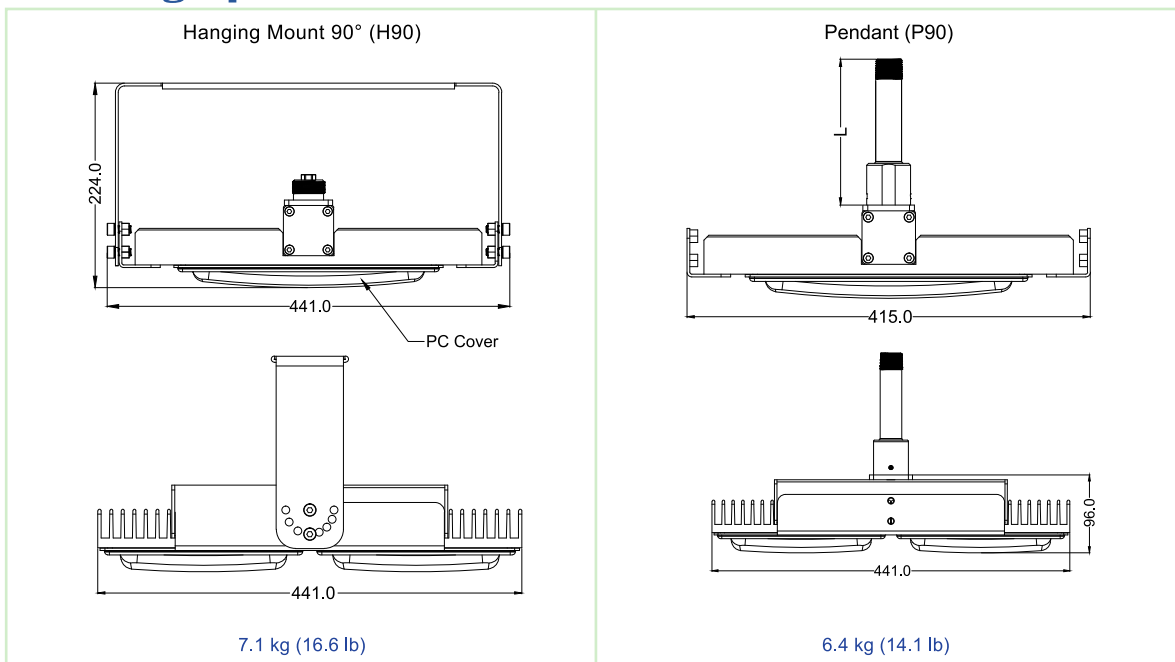
④ **Wattage**

Q0=160W, U0=200W

V0=210W, Y0=240W

30=300W

Mounting Option & Dimensions (All in mm)



Optional - Special Coating



Clear PC Cover



Diffuser



Features:

- Evenly Distributed Film Thickness
- Acid Pollutants Resistance
- Salt Spray Resistance
- Oxidation Resistance
- Excellent Weatherability