

L1703

Hazardous Location LED Lighting



Protection

- Ex nR IIC T4 Gc
- Ex tb IIIC T120°C Db
- Ex II 3 G Ex nR IIC T4 Gc
- Ex II 2 D Ex tb IIIC T120°C Db

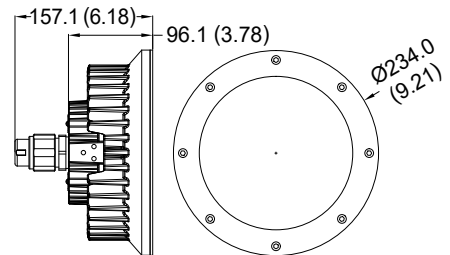
Standards

- IEC 60079-0
- IEC 60079-15
- IEC 60079-31
- EN 60079-0
- EN 60079-15
- EN 60079-31

Net Weight: 5.5 kg (12.1 lb)

Technical Data

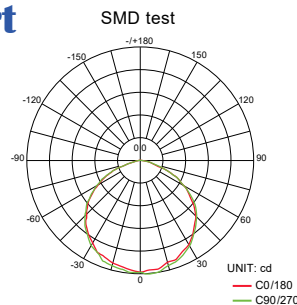
Rated Voltage (±10%)	110V / 220V / 277V AC								
Watts (±10%)	DOB: 60W / 80W / 90W / 100W, SMD: 65W / 75W / 95W								
Amps	60W 110V: 0.55A, 220V: 0.27A, 277V: 0.22A / 80W 110V: 0.73A, 220V: 0.36A, 277V: 0.29A / 90W 110V: 0.82A, 220V: 0.41A, 277V: 0.32A / 100W 110V: 0.91A, 220V: 0.45A, 277V: 0.36A / 65W 110V: 0.59A, 220V: 0.30A, 277V: 0.23A / 75W 110V: 0.68A, 220V: 0.34A, 277V: 0.27A / 95W 110V: 0.86A, 220V: 0.43A, 277V: 0.34A								
Color of LED Light	3000K (Warm White) / 5000K (Cool White)								
Ambient Temperature	-40°C ~ +55°C, T4								
Power Factor	cos ≥ 0.9								
CRI	Cool White ≥ 70 / Warm White ≥ 80								
Lumen (±10%)	DOB	60W	80W	90W	100W	SMD	65W	75W	95W
	3000K	5700lm	7600lm	8550lm	9500lm	3000K	6175lm	7125lm	9025lm
	5000K	6000lm	8000lm	9000lm	10000lm	5000K	6500lm	7500lm	9500lm
Beam Angle	X-110° / Y-110°								
Frequency	50 / 60 Hz								
Degree of Protection	IP67 / NEMA 6								
Material	• Enclosure • Glass Aluminum alloy Tempered glass								
LED Service Life	60,000 hrs								
Entrance Thread	1 x M25								



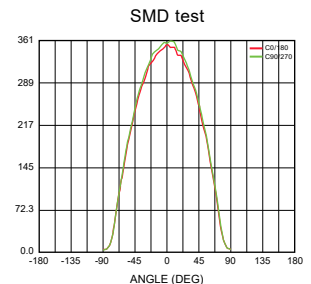
Dimension in Millimeters (inches)

Optical Report

Polar Luminous Intensity Distribution



Luminous Intensity Distribution Diagram



Model Code

THT	H	1703	Z	C	A	C	9	J0	S90
					①	②	③	④	⑤

① Type of LED Module

A=DOB type LED, K=SMD type LED

② C.C.T.

C=Cool White
W=Warm White

③ Voltage

1=110V, 2=220V, 9=277V

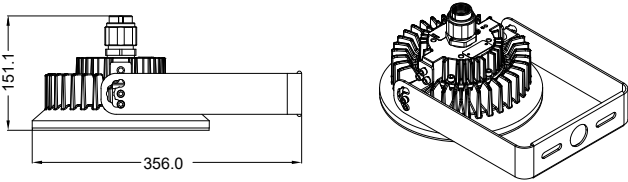
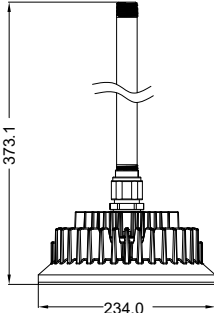
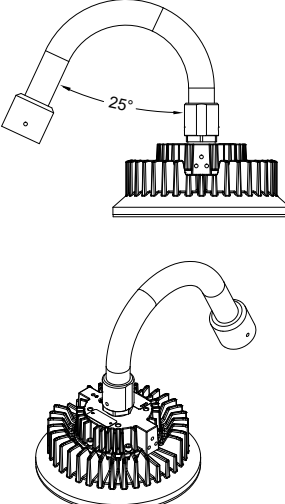
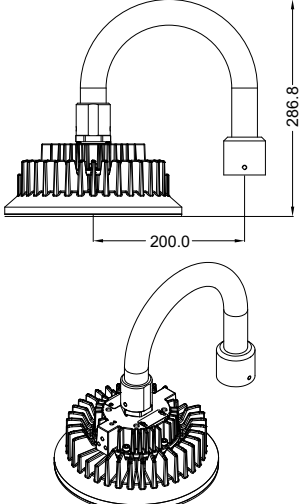
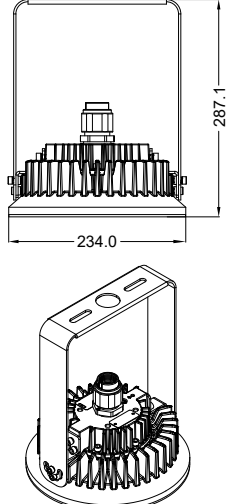
④ Wattage

F0=60W, F5=65W
G5=75W, H0=80W
I0=90W, I5=95W, J0=100W

⑤ Mounting Bracket Type

W90=Wall Mount 90°
H90=Hanging Mount 90°
S25/90=Bending Electrical Tube 25°/90°
P90=Straight Electrical Tube

Mounting Option & Dimensions (All in mm)

<p>Wall Mount 90° (W90)</p>  <p>6.3 kg (13.8 lb)</p>		<p>Straight Electrical Tube (P90)</p>  <p>6.5 kg (14.3 lb)</p>			
<p>Bending Electrical Tube 25° (S25)</p>  <p>6.5 kg (14.3 lb)</p>		<p>Bending Electrical Tube 90° (S90)</p>  <p>6.6 kg (14.6 lb)</p>		<p>Hanging Mount 90° (H90)</p>  <p>6.3 kg (13.8 lb)</p>	

Applicable Area

- Oil Refinery Complex
- Painting Facility
- Transporting Liquefied
- Offshore Platform
- Petrochemical Complex
- Transporting Nature Gas
- Petroleum Gas
- (Oil and Natural Gas)