



TOP HI-TECH CO., LTD.

Waterproof LED High Bay Light



150W

Specification Sheet

Design 2020 / 04



+886-2-2267-1234
sales@tht-ex.com
www.tht-ex.com

Product Features

THT's LED high bay light is an amazing retrofit for high power lamps. With its light weight and average 135lm/W(Cold stage) system efficacy, it can easily replace most type of conventional high bay lamp fixtures.

The optics are engineered to be highly efficient and able to delivery sufficient and uniform light on the demanding areas. Suitable for wide variety of applications, including high ceiling buildings, floodlights, airport halls and outdoor construction fields, etc. Its brilliant design makes your business bright.

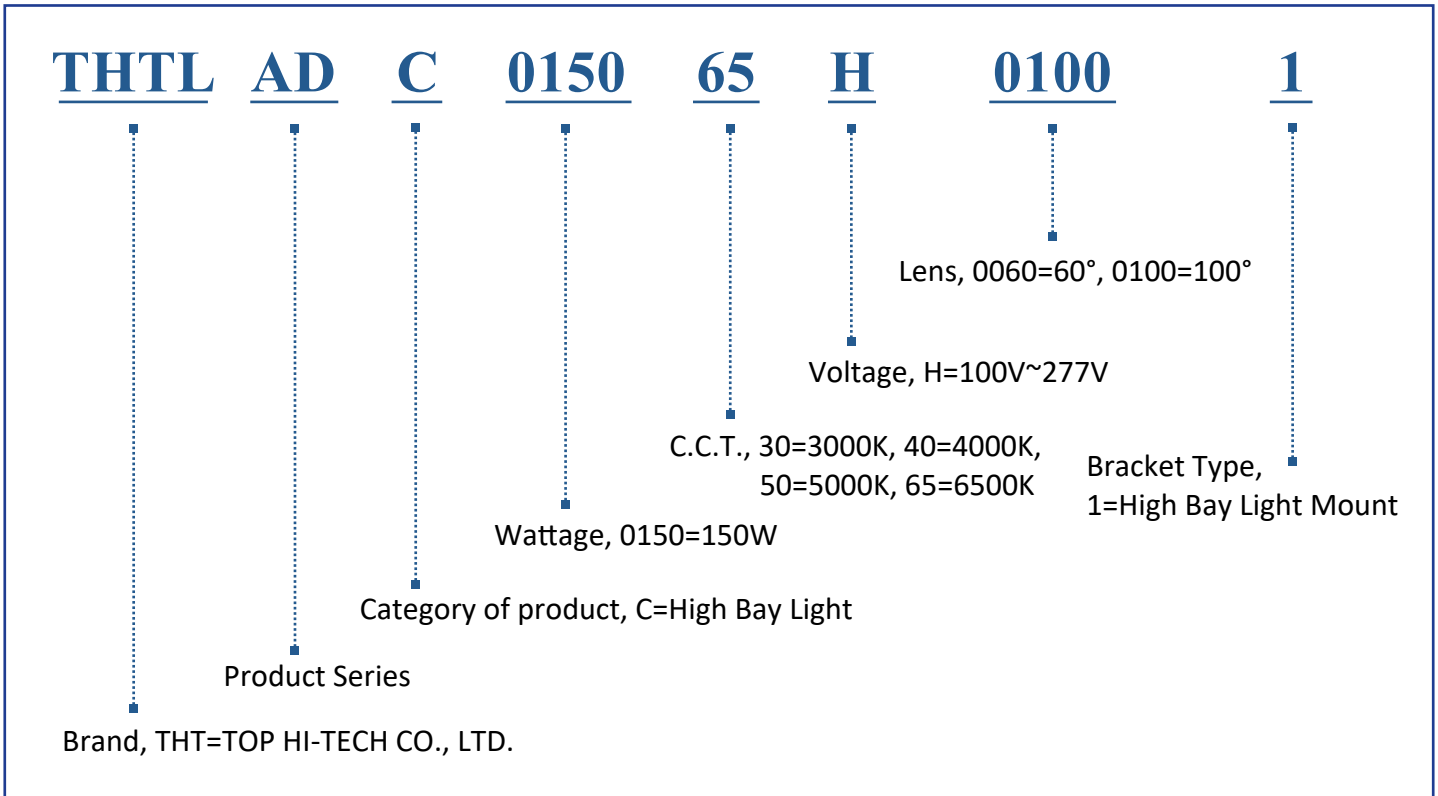
- High system efficacy up to 135 lm/W(Cold stage).
- Temperature range -30°C to +50°C.
- No IR-and UV radiation, low heat radiation.
- LED lifetime (L70) @55°C 60000hrs.
- Significant energy savings.
- Flexible LED configurations.



Specifications

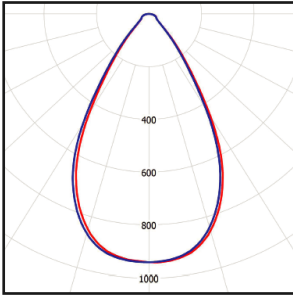
Model No.	THTLADC015030H0XXX1	THTLADC015040H0XXX1	THTLADC015050H0XXX1	THTLADC015065H0XXX1
Color Temp.	3000K	4000K	5000K	6500K
Wattage (±10%)	150W	150W	150W	150W
Luminous Flux (±10%)	19,200 lm	20,250 lm	20,250 lm	19,200 lm
Lum. / Wat. (±10%)	128 lm	135 lm	135 lm	128 lm
Input Voltage	100V-277V	100V-277V	100V-277V	100V-277V
Net Weight	4.5 kgs / 9.9 lbs	4.5 kgs / 9.9 lbs	4.5 kgs / 9.9 lbs	4.5 kgs / 9.9 lbs
CRI	≥80Ra	≥80Ra	≥80Ra	≥80Ra
Lens	60°, 100°			
Dimming Options	0-10V dimming			
SPD	L/N 2.5KV ; L,N-FG 5KV			
IP Rating	IP65			
Operating Temp.	-30°C ~ +50°C			
Lifespan	LED lifetime (L70) @55°C 60,000 hrs.			
Warranty	3-year warranty			

Ordering Information

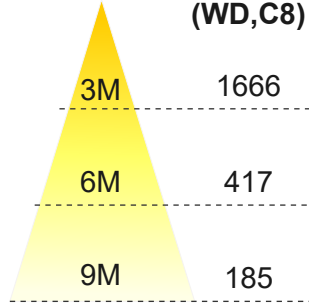


Light Pattern

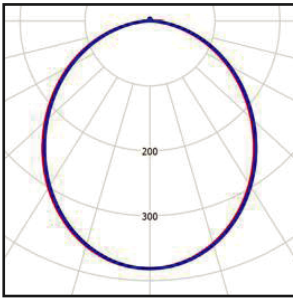
60°



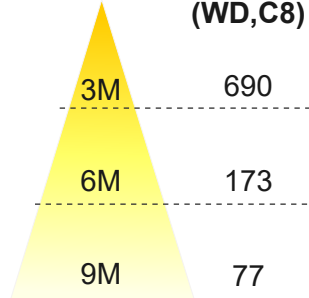
150W LUX (WD,C8)



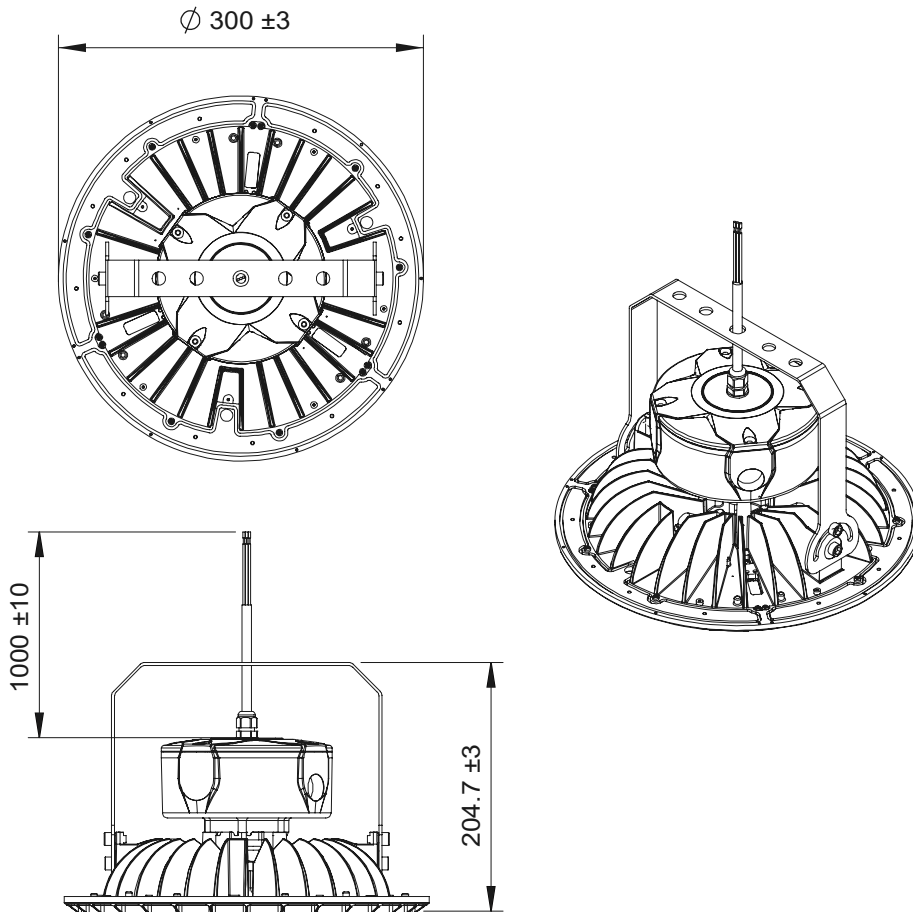
100°



150W LUX (WD,C8)



Dimension Drawing (All in mm)





Application

- Industry
- Warehouse
- Commercial
- Convention Hall