



TOP HI-TECH CO., LTD.

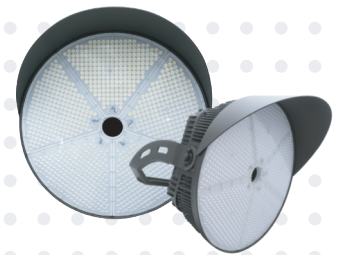
# Waterproof LED Flood Light



300W / 400W / 500W



600W / 750W



950W / 1200W

## Specification Sheet

Design 2020 / 04



+886-2-2267-1234

sales@tht-ex.com

www.tht-ex.com

# Product Features

- **High Protection Level up to IP67**

Light engines and driver compartment are sealed to protect LEDs, electrical components, and terminal block against dust and moisture, increasing reliability and extending lifespan.

- **High Impact Resistance**

Meets IK08 mechanics impact protection code.

- **Anti 17-level Wind Power**

Fixture's Low profile and pin structure effectively reduce wind load, plus light weight and high mechanics strength, the fixture has strong ability of anti-wind.

- **High Vibration Resistance**

Meets ANSI C136.31-2001 3G bridge and overpass vibration standards.

- **Surge Suppression Protection**

Standard 20kV SPD and optional 40kV SPD, add an additional layer of protection for the light.

- **HD TV Broadcasting**

High lumen efficiency, flicker free, and options of CRI>90, TLCI>90, meeting the lighting requirements of HD TV broadcasting for sports events.

- **Intelligent Control**

Intelligent Zigbee controller, supports wireless on/off, dimming, color turning, grouping, status monitoring, remote control, all simply and easily via smartphone.

- **Twist-lock Photocontrol**

Optional twist-lock photocell at the back, can be quickly upgraded in the future.

# Specifications

Model NO.	THTL GIA0300XXXXXXXXX0	THTL GIA0400XXXXXXXXX0	THTL GIA0500XXXXXXXXX0	THTL GIA0600XXXXXXXXX0	THTL GIA0750XXXXXXXXX0	THTL GIA0950XXXXXXXXX0	THTL GIA1200XXXXXXXXX0
Wattage (±10%)	300W	400W	500W	600W	750W	950W	1200W
Luminous Flux(±10%)	38,486 lm	50,520 lm	56,614 lm	76,819 lm	84,374 lm	115,344 lm	134,087 lm
Lum. / Wat. (±10%)	128.3 lm	126.3 lm	113.2 lm	128.0 lm	112.5 lm	121.4 lm	111.7 lm
Input Voltage	100V-277V 347V-480V	100V-277V 347V-480V	100V-277V 347V-480V	100V-277V 347V-480V	100V-277V 347V-480V	100V-277V 347V-480V	100V-277V 347V-480V
Net Weight	17.5 kgs / 38.6 lbs	17.9 kgs / 39.6 lbs	19.5 kgs / 24.9 lbs	21.1 kgs / 46.5 lbs	25.5 kgs / 56.2 lbs	34.9 kgs / 76.9 lbs	36.9 kgs / 81.3 lbs
CRI	≥70Ra, or ≥90Ra	≥70Ra, or ≥90Ra	≥70Ra, or ≥90Ra	≥70Ra, or ≥90Ra	≥70Ra, or ≥90Ra	≥70Ra, or ≥90Ra	≥70Ra, or ≥90Ra
Lens	16**16°, 40**40°, 60**60°, 90**90°						
Color Temp.	3000K / 4000K / 5000K / 5700K / 6500K (others available)						
Dimming Options	0-10V dimming / Zigbee wireless dimming available						
Zigbee Control	On/off, dimming, color turning, grouping, status monitoring, remote control etc (via APP).						
Photocontrol	Twist-lock photocell available						
SPD	20kV SPD standard (40kV optional)						
IP Rating	IP67						
Operating Temp.	-40°C~-40°C / -40°F~104°F						
Lifespan	>100,000 Hrs (L70 @ 25°C)						
Warranty	7-year warranty for 100-277V version, 5-year warranty for 347-480V version						

# Ordering Information

**THTL** **GI** **A** **1200** **65** **H** **9090** **0**

Brand, THT=TOP HI-TECH CO., LTD.

Product Series

Category of product, A=Flood Light

Wattage, 0300=300W, 0400=400W, 0500=500W, 0600=600W, 0750=750W, 0950=950W, 1200=1200W

C.C.T., 30=3000K, 40=4000K, 50=5000K, 57=5700K, 65=6500K

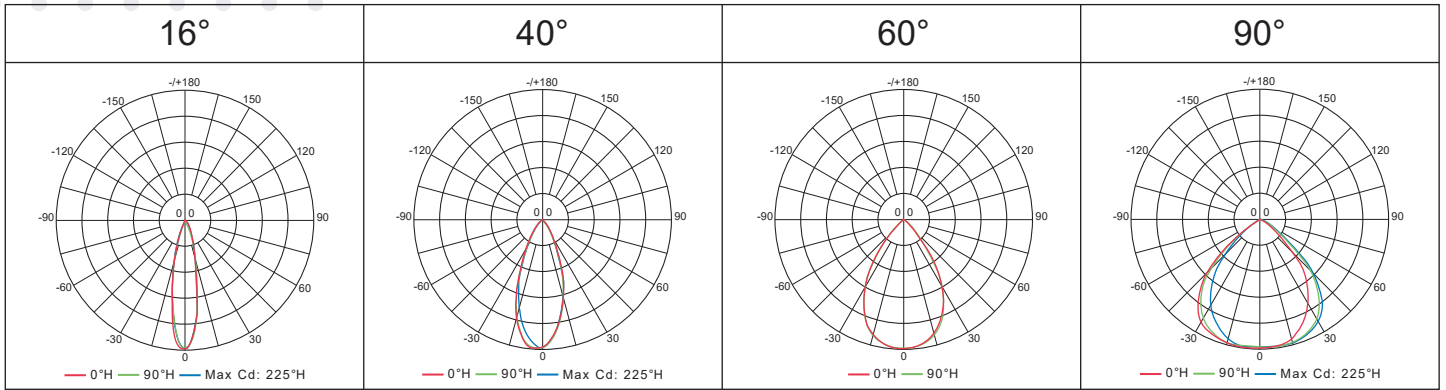
Voltage, H=100V~277V, G=347V~480V

Lens, 1616=16°\*16°, 4040=40°\*40°, 6060=60°\*60°, 9090=90°\*90°

Bracket Type, 0=Flood Light Mount

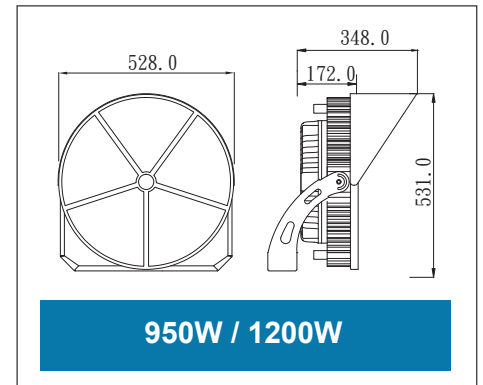
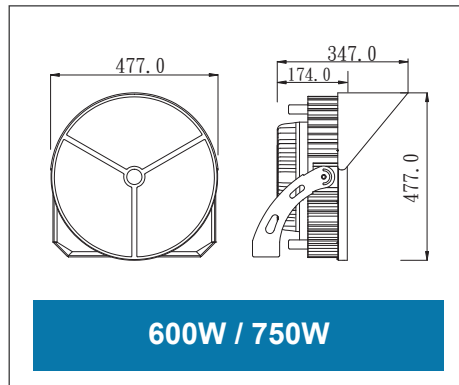
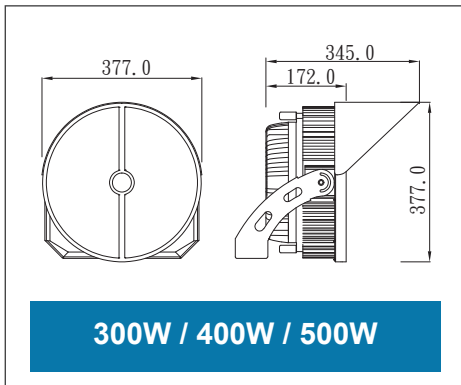


# Light Pattern



## Dimension

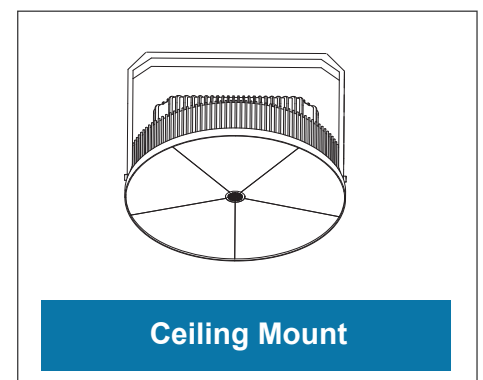
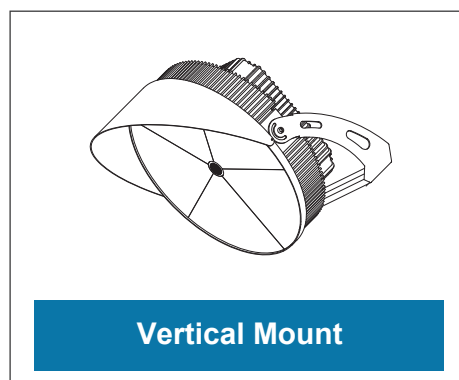
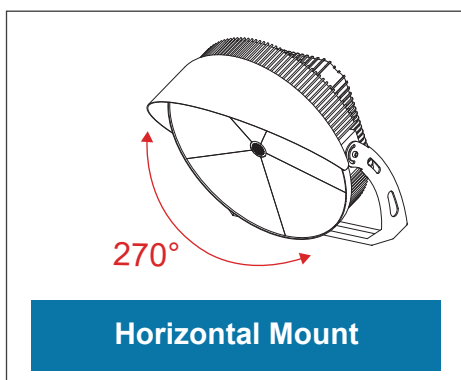
### Dimension Drawing (Unit: mm)



## Easy Installation

Mounting angle adjustable up to 270°.

Suitable for vertical mount / horizontal mount to pole devices, and ceiling mount.



## Application

- 1) Sports lighting applications: outdoor and indoor sports arenas and stadiums, indoor sports halls, etc.
- 2) High mast flood lighting applications: expressways merge or intersect, airport, shipping terminals, heavy-industry zones, Plazas, prison yards, etc.

