



TOP HI-TECH CO., LTD.

Waterproof LED Street Light



120W
150W

Specification Sheet

Design 2020 / 06



+886-2-2267-1234

sales@tht-ex.com

www.tht-ex.com

Product Features

- Unique design lighting fixture with private mold, Made in TAIWAN.
- Patented independent driver design, allows a single light source module or power module failure, will not affect the other modules, to prevent area without lighting and cause danger.
- Aluminum alloy housing with corrosion resistant hardware, super durable powder coating finish withstand extreme climate changes without cracking or pearling. Product passed 120 hrs. salt mist test.
- Advanced lamp mechanism for easy adjust lighting direction and replaceable optic lens.
- Up to 10 beam angles of IK10 Anti-UV optical lens and 4 type of mounting bracket available for various lighting application.
- LED driver available on 100~277Vac, 50/60Hz, IP67 water and dust resistance.
- 0~10V or PWM Dimming option on 100~277Vac.
- Wind tunnel safety testing approved- up to 60m/s (216 km/h; 135 mph) wind resistance.
- Certification for Lighting Fixture: CE/CB/PSE/FCC.
- Certification for LED Driver: CE/CB/PSE/FCC.
- L70 greater than 54,000 hrs. @50°C.

Specifications

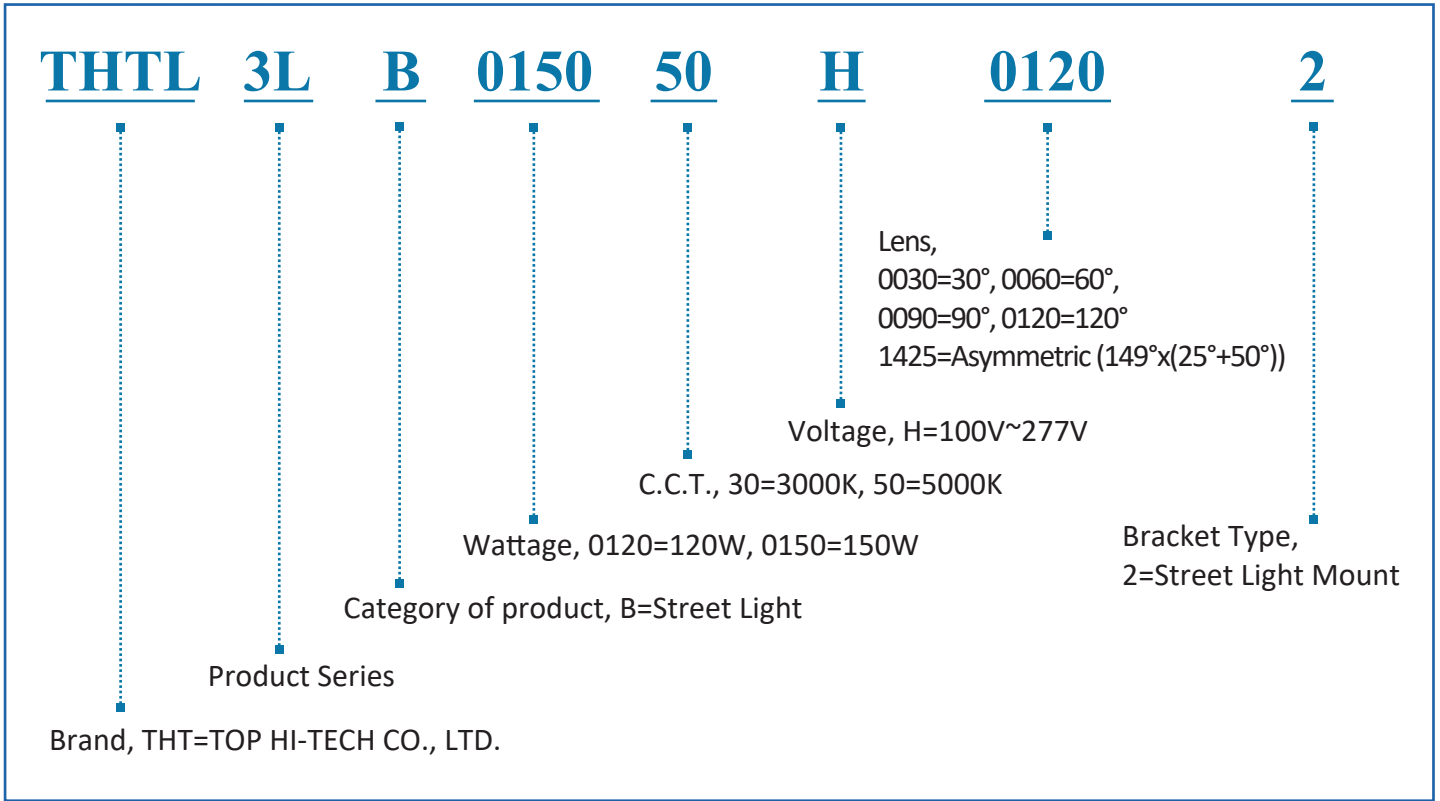
120W

| | | |
|------------------------------|--|----------------------------------|
| Model No. | THTL3LB012030HXXXX2 | THTL3LB012050HXXXX2 |
| Color Temp. | 3000K | 5000K |
| Wattage ($\pm 10\%$) | 120W | 120W |
| Luminous Flux ($\pm 10\%$) | 17,180 lm (Asymmetric 16,630 lm) | 18,720 lm (Asymmetric 18,120 lm) |
| Lum. / Wat. ($\pm 10\%$) | 143 lm (Asymmetric 139 lm) | 156 lm (Asymmetric 151 lm) |
| Input Voltage | 100V-277V | 100V-277V |
| Net Weight | 3.2 kgs / 7.1 lbs | 3.2 kgs / 7.1 lbs |
| CRI | $\geq 70Ra$ | $\geq 70Ra$ |
| Lens | 30°, 60°, 90°, 120°, Asymmetric (149°x(25°+50°)) | |
| Dimming Options | 0-10V dimming | |
| SPD | Optional 12kV / 6kV surge protection | |
| IP Rating | IP67 | |
| Operating Temp. | -30°C ~ +50°C | |
| Lifespan | L70 greater than 54,000 hrs. @50°C | |
| Warranty | 3-year warranty | |

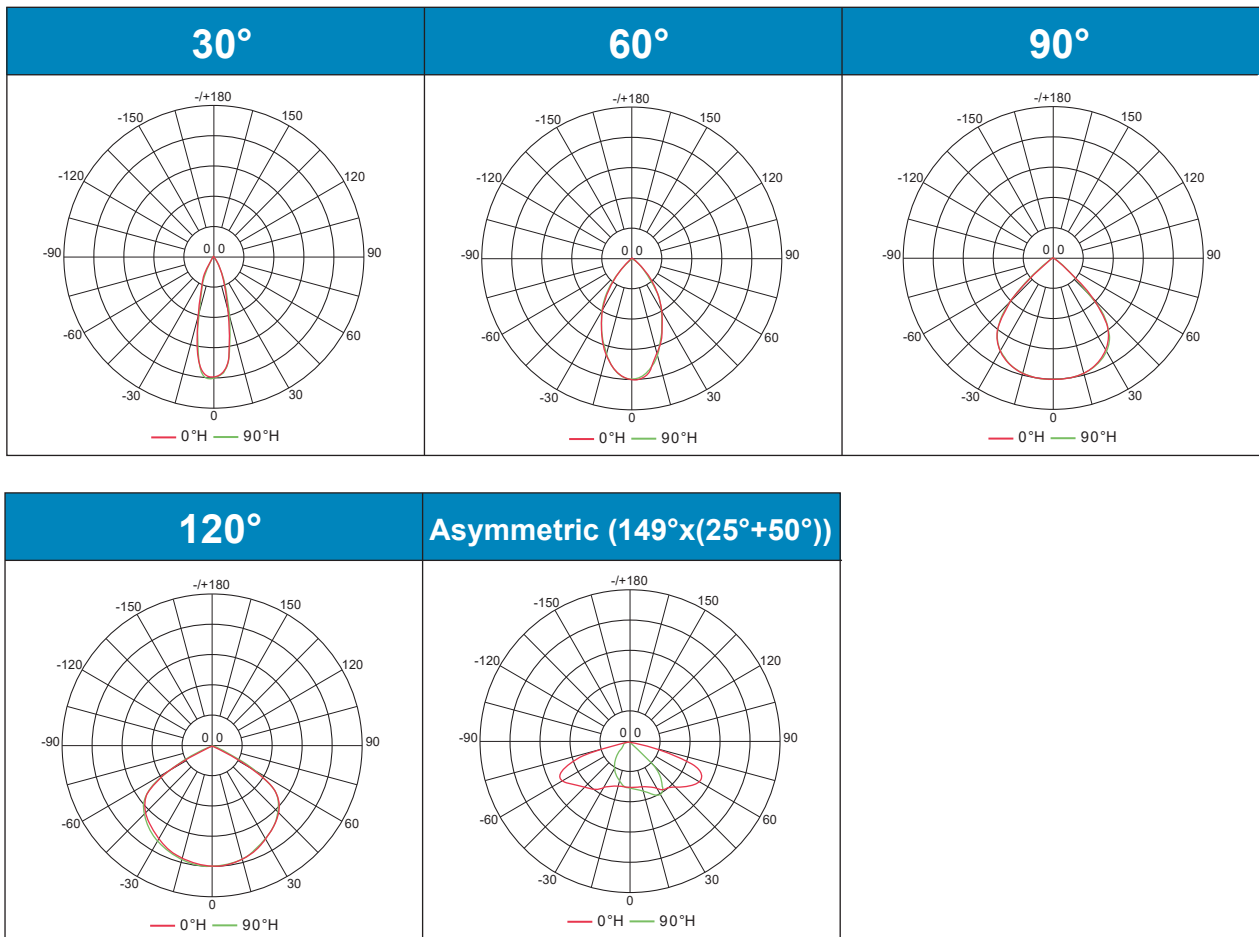
150W

| | | |
|------------------------------|--|----------------------------------|
| Model No. | THTL3LB015030HXXXX2 | THTL3LB015050HXXXX2 |
| Color Temp. | 3000K | 5000K |
| Wattage ($\pm 10\%$) | 150W | 150W |
| Luminous Flux ($\pm 10\%$) | 20,390 lm (Asymmetric 19,840 lm) | 22,200 lm (Asymmetric 21,600 lm) |
| Lum. / Wat. ($\pm 10\%$) | 136 lm (Asymmetric 132 lm) | 148 lm (Asymmetric 144 lm) |
| Input Voltage | 100V-277V | 100V-277V |
| Net Weight | 3.2 kgs / 7.1 lbs | 3.2 kgs / 7.1 lbs |
| CRI | $\geq 70Ra$ | $\geq 70Ra$ |
| Lens | 30°, 60°, 90°, 120°, Asymmetric (149°x(25°+50°)) | |
| Dimming Options | 0-10V dimming | |
| SPD | Optional 12kV / 6kV surge protection | |
| IP Rating | IP67 | |
| Operating Temp. | -30°C ~ +50°C | |
| Lifespan | L70 greater than 54,000 hrs. @50°C | |
| Warranty | 3-year warranty | |

Ordering Information

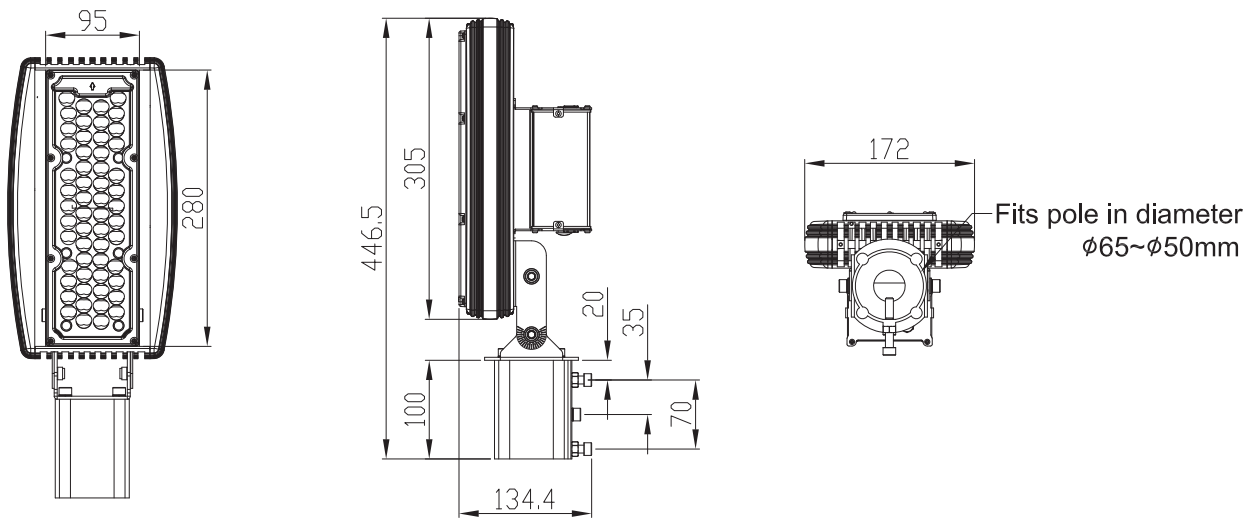


Light Pattern



Dimension Drawing (All in mm)

Street Light Mount



Dimming Signal (Option):

- Dimming signal could be PWM or Vdc signal.
- 1~10V dimming function for output current adjustment (Typical)

1~10V dimming function for output current adjustment (Typical)

| | | | | | | | | | | | |
|-----------------------------|-----|-----|-----|-----|-----|-----|-----|-----|-----|------|----------|
| Dimming value | 1V | 2V | 3V | 4V | 5V | 6V | 7V | 8V | 9V | 10V | OPEN |
| Percentage of rated current | 10% | 20% | 30% | 40% | 50% | 60% | 70% | 80% | 90% | 100% | 95%~108% |

10V PWM signal for output current adjustment (Typical): Frequency range : 100Hz~3KHz

| | | | | | | | | | | | |
|-----------------------------|-----|-----|-----|-----|-----|-----|-----|-----|-----|------|----------|
| Dimming value | 10% | 20% | 30% | 40% | 50% | 60% | 70% | 80% | 90% | 100% | OPEN |
| Percentage of rated current | 10% | 20% | 30% | 40% | 50% | 60% | 70% | 80% | 90% | 100% | 95%~108% |

Dimming cable pin assignment

| Color | Function |
|-------|----------|
| White | DIM- |
| Blue | DIM+ |

Application

- Street Lighting
- Roadway Lighting
- Parking Lot Lighting
- Sports Field Lighting
- Area Facade