



TOP HI-TECH CO., LTD.

Waterproof LED Search Light



110W

Specification Sheet

Design 2020 / 09

(Image for reference only.)



+886-2-2267-1234

sales@tht-ex.com

www.tht-ex.com

Product Features

- IP66, Salt spray test and Vibration test compliance.
- Compatible with harsh environments to demonstrate the marine performance required for ship lighting.
- Long lifespan up to 40,000 hours.
- It is a high-brightness LED component that reduces power consumption to 1/10 the power of traditional lighting, reducing engine load and significantly reducing the fuel cost of power generation.
- There are vents prevent fog inside the lamp.
- Control of manual or automatic for optional.
- Excellent Luminous intensity distribution with beam angle 5°.
- High levels of light uniformity (70%+).
- No Mercury, RoHs compliance.
- No UV, IR light radiation.
- International Standards
CNS 3912 Photometric test
CNS 14335 / 14165 IP66
CNS 10255 Vibration test
CNS 8886 Salt spray test

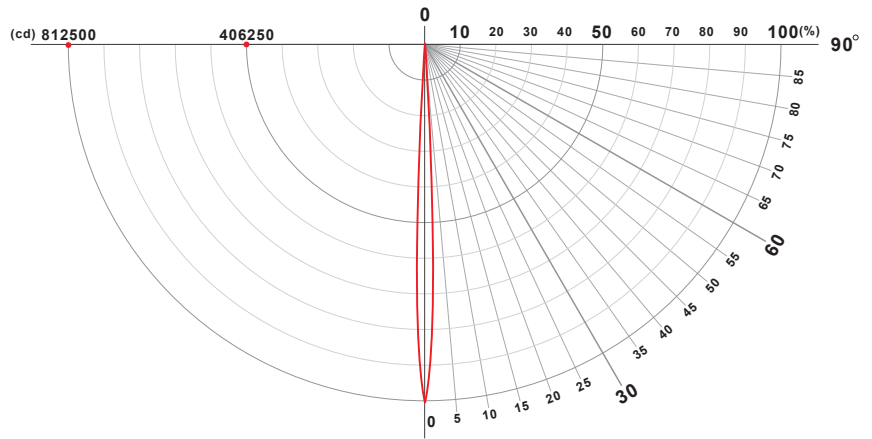


Specifications

Model No.	THTLYUL4231CGK005
Color Temp.	5000K (Cool White)
Wattage (±10%)	110W (Equivalent to conventional products: 1000W)
Luminous Flux (±10%)	13,800 lm
Lum. / Wat. (±10%)	125 lm
Input Voltage	100V-240V
Net Weight (±10%)	9.7 kgs / 21.4 lbs
CRI	Ra 75
Beam Angle (θ)	5°
Lux @ 25m	1300 Lux / 25m
Frequency Range	50 Hz / 60Hz
IP Rating	IP66
Operating Temp.	-25°C ~ +50°C
Lifespan	40,000 hrs
Warranty	2-year warranty

The value of power consumption reduction will vary depending on the product.

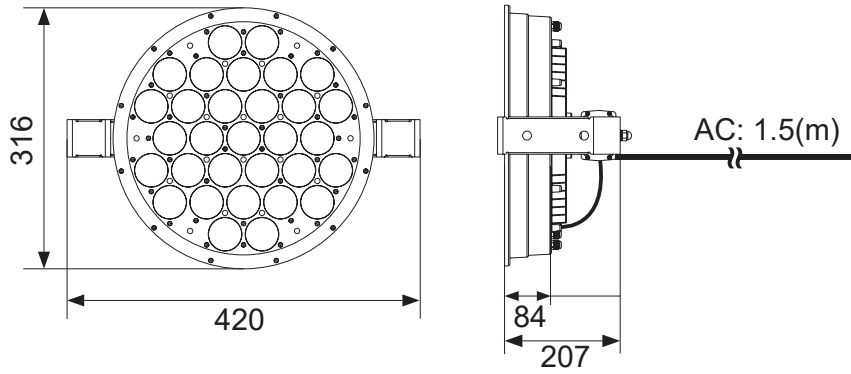
Light Pattern



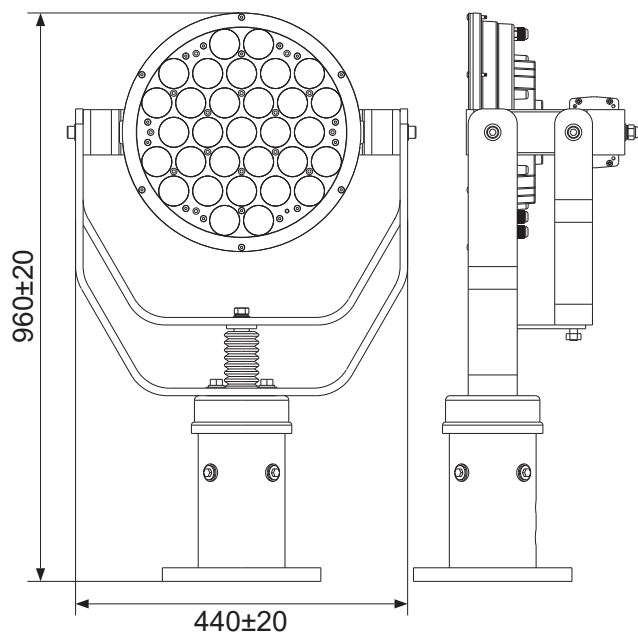
Beam width:	1.1m	25m
	1300 lux in center	
Beam width:	4.4m	100m
	81.3 lux in center	
Beam width:	8.7m	200m
	20.5 lux in center	

Beam Angle $\theta = 5^\circ$

Dimension Drawing (All in mm)



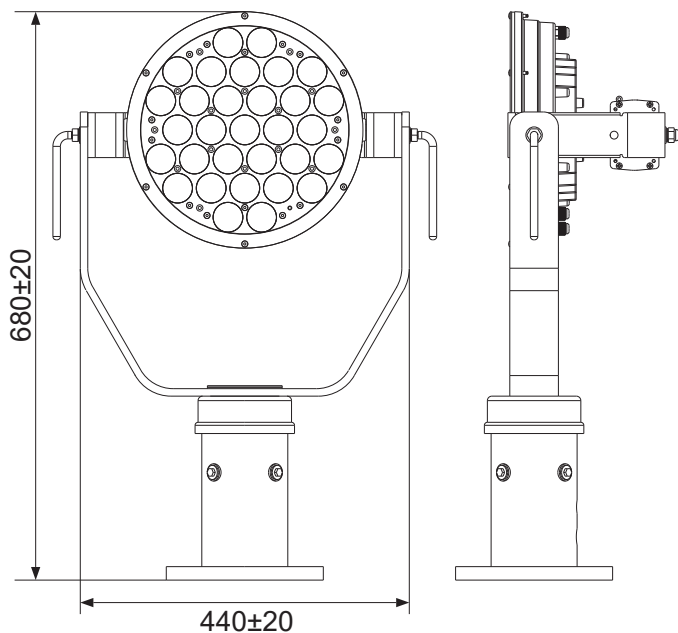
Type-remote control



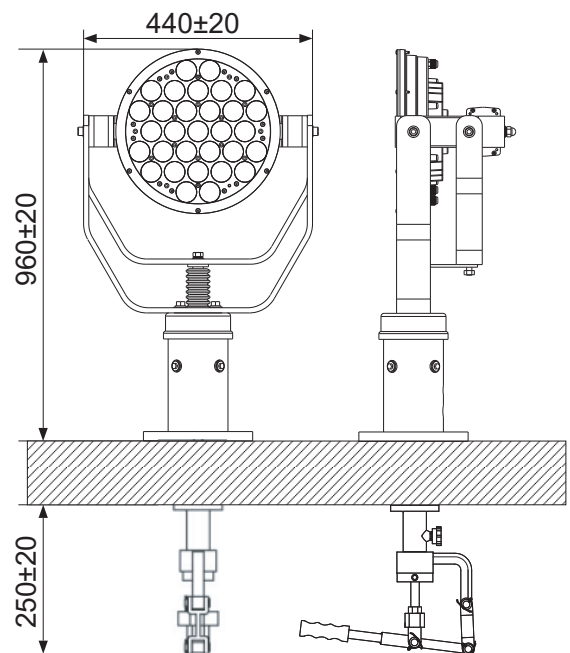
Reference

Depression angle: 30°
Elevation angle: 16°
Pivotal angle: 270°
Rotation speed: $1.1^\circ/\text{sec}$
Swing speed: $6^\circ/\text{sec}$

Type-outdoor control



Type-indoor control



Wiring Diagram

