



TOP HI-TECH CO., LTD.

LED Linear High Bay



100W
150W
200W
240W



Specification Sheet

Design 2020 / 10



+886-2-2267-1234
sales@tht-ex.com
www.tht-ex.com

Product Features

THT's LED Linear High Bay is the right alternative. Following the market trend, with its innovative design, aims at replacing traditional HID and fluorescent, fixture specially traditional T5, T8 and metal halide and at the same time, providing better lighting solution for more industrial space.

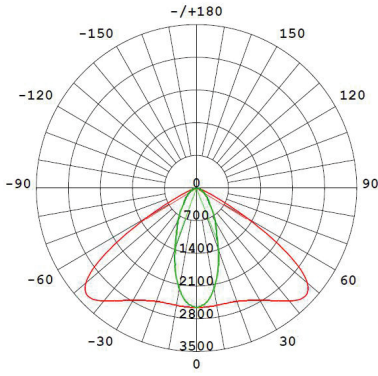
Key Features

- T5 high bay replacement.
- Intelligent control for energy saving.
- Soft even lighting performance for pleasant atmosphere.
- Optional wattages with different length, high efficiency up to 130lm/w.

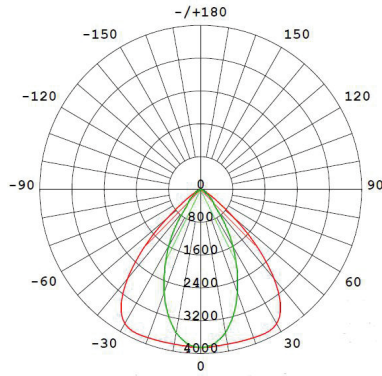
Specifications

Model No.	C.W.-THTLAGP1048CHJ W.W.-THTLAGP1048WHJ	C.W.-THTLAGP1371CHP W.W.-THTLAGP1371WHP	C.W.-THTLAGP1394CHU W.W.-THTLAGP1394WHU	C.W.-THTLAGP1311CHY W.W.-THTLAGP1311WHY
Power Consumption	100±5W	150±7W	200±10W	240±7W
LED Type	SMD 3030			
Luminous Flux (±5%)	13000LM	19500LM	26000LM	31200LM
Efficacy (5000K Ra70)	130LM/W			
Color Temperature	5000K(Cool White), 3000K(Warm White)			
Color Rendering Index	Ra70 (Ra80 optional)			
Beam Angle	L06404			
Power Supply	Sosen			
Input Voltage	100-277 VAC			
Power Factor	>0.92			
Surge Protection	4kV line-line, 6kV line-earth			
Frequency	50 / 60 Hz			
Total Harmonic Distortion	<20%			
Driver Type	Constant Current (CC)			
Product Dimension	486×137×102 (19.13"×5.39" ×4.02")	718×137×102 (28.27"×5.39" ×4.02")	948×137×102 (37.32"×5.39" ×4.02")	1178×137×102 (46.38"×5.39"×4.02")
Luminaire Net Weight	3.4±0.3kg (7.5±0.66Lbs)	4.7±0.3kg (10.36±0.66Lbs)	5.7±0.3kg (12.57±0.66Lbs)	6.9±0.3kg (15.21±0.66Lbs)
Export Carton Size	555×200×160 (21.85"×7.87" ×6.3")	790×200×160 (31.1"×7.87" ×6.3")	1020×200×160 (40.16"×7.87" ×6.3")	1250×200×160 (49.21"×7.87" ×6.3")
Gross Weight	4.0±0.3kg (8.82±0.66Lbs)	5.3±0.3kg (11.68±0.66Lbs)	6.5±0.3kg (14.32±0.66Lbs)	8.0±0.3kg (17.64±0.66Lbs)
Material	Housing	Aluminum Alloy		
	Optics	PC Lens		
Finish	Electrophoresis			
Fixture Color	all black			
IP Rating	IP65			
Mounting Option	Suspension mount / Ceiling mount			
Ambient Temp.	-30°C to + 50°C (-22°F to 122°F)			
Life Time	>50000Hrs(Ta=25°C@L70)			
Warranty	5 Years			
Dimmable	Non-Dimmable			
Accessory	Optic lens - L06402 (Optional) Brackets optional			

Light Pattern



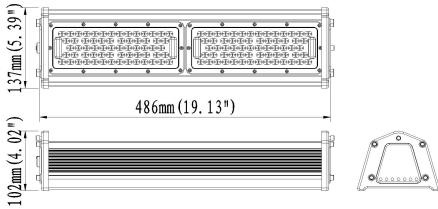
L06404
(Standard)



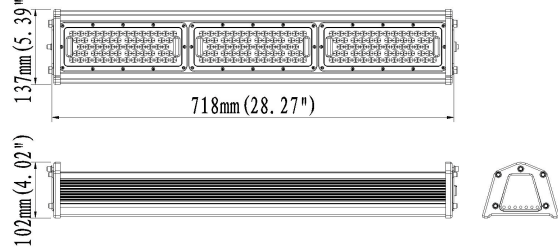
L06402
(Optional)

Dimension Drawing (All in mm)

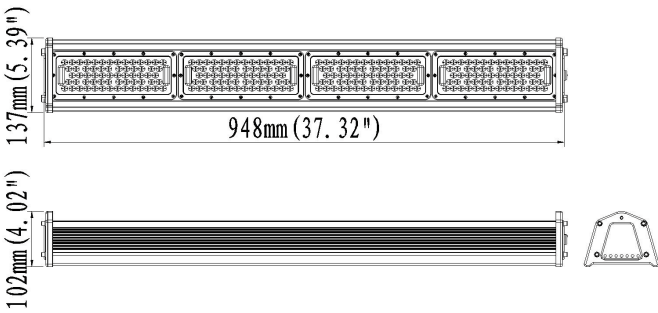
100W



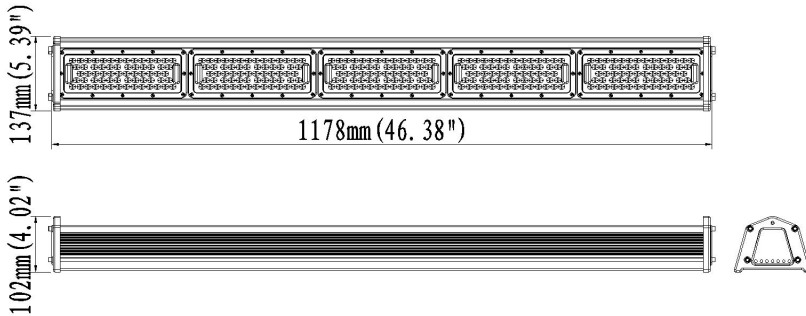
150W



200W



240W



Installation



Suspension Mount



± 50 deg Adjustable
Wall Mount

Application

- Warehouse
- Shopping Mall
- Super-market
- Factory