



TOP HI-TECH CO., LTD.

# Waterproof LED Flood Light



**320W**  
**400W**

## Specification Sheet

Design 2020 / 06



+886-2-2267-1234

sales@tht-ex.com

www.tht-ex.com

# Product Features

- Unique design lighting fixture with private mold, Made in TAIWAN.
- Patented independent driver design, allows a single light source module or power module failure, will not affect the other modules, to prevent area without lighting and cause danger.
- Aluminum alloy housing with corrosion resistant hardware, super durable powder coating finish withstand extreme climate changes without cracking or pearling. Product passed 120 hrs. salt mist test.
- Advanced lamp mechanism for easy adjust lighting direction and replaceable optic lens.
- Up to 8 beam angles of IK10 Anti-UV optical lens and 2 type of mounting bracket available for various lighting application.
- LED driver available on 100~277Vac, 50/60Hz, IP67 water and dust resistance.
- 0~10V or PWM Dimming option on 100~277Vac.
- Wind tunnel safety testing approved- up to 42m/s (150 km/h; 94 mph) wind resistance.
- Certification for Lighting Fixture: CE/FCC.
- Certification for LED Driver: CE/FCC.
- EU energy efficiency class A+.
- L70 greater than 54,000 hrs. @50°C.

# Specifications

## 320W

Model No.	THTL3LA032030H0XXXX	THTL3LA032050H0XXXX
Color Temp.	3000K	5000K
Wattage (±10%)	320W	320W
Luminous Flux (±10%)	32,960 lm	46,080 lm (12° Lens 40,000 lm)
Lum. / Wat. (±10%)	103 lm	144 lm (12° Lens 130 lm)
Input Voltage	100V-277V	100V-277V
Net Weight	7.4 kgs / 16.3 lbs	7.4 kgs / 16.3 lbs
CRI	≥70Ra	≥70Ra
Lens	12°***, 30°, 60°, 90°, 120°	
Dimming Options	0-10V dimming	
SPD	Optional 12kV / 6kV surge protection	
IP Rating	IP67	
Operating Temp.	-30°C ~ +50°C	
Lifespan	L70 greater than 54,000 hrs. @50°C	
Warranty	3-year warranty	

\*\*\*12° Lens only 5000K

## 400W

Model No.	THTL3LA040030H0XXXX	THTL3LA040050H0XXXX
Color Temp.	3000K	5000K
Wattage (±10%)	400W	400W
Luminous Flux (±10%)	38,000 lm	56,940 lm (12° Lens 48,480 lm)
Lum. / Wat. (±10%)	97 lm	146 lm (12° Lens 125 lm)
Input Voltage	100V-277V	100V-277V
Net Weight	7.4 kgs / 16.3 lbs	7.4 kgs / 16.3 lbs
CRI	≥70Ra	≥70Ra
Lens	12°***, 30°, 60°, 90°, 120°	
Dimming Options	0-10V dimming	
SPD	Optional 12kV / 6kV surge protection	
IP Rating	IP67	
Operating Temp.	-30°C ~ +50°C	
Lifespan	L70 greater than 54,000 hrs. @50°C	
Warranty	3-year warranty	

\*\*\*12° Lens only 5000K

# Ordering Information

**THTL**

**3L**

**A**

**0400**

**50**

**H**

**0120**

**0**

Brand, THT=TOP HI-TECH CO., LTD.

Product Series

Category of product, A=Flood Light

Wattage, 0320=320W, 0400=400W

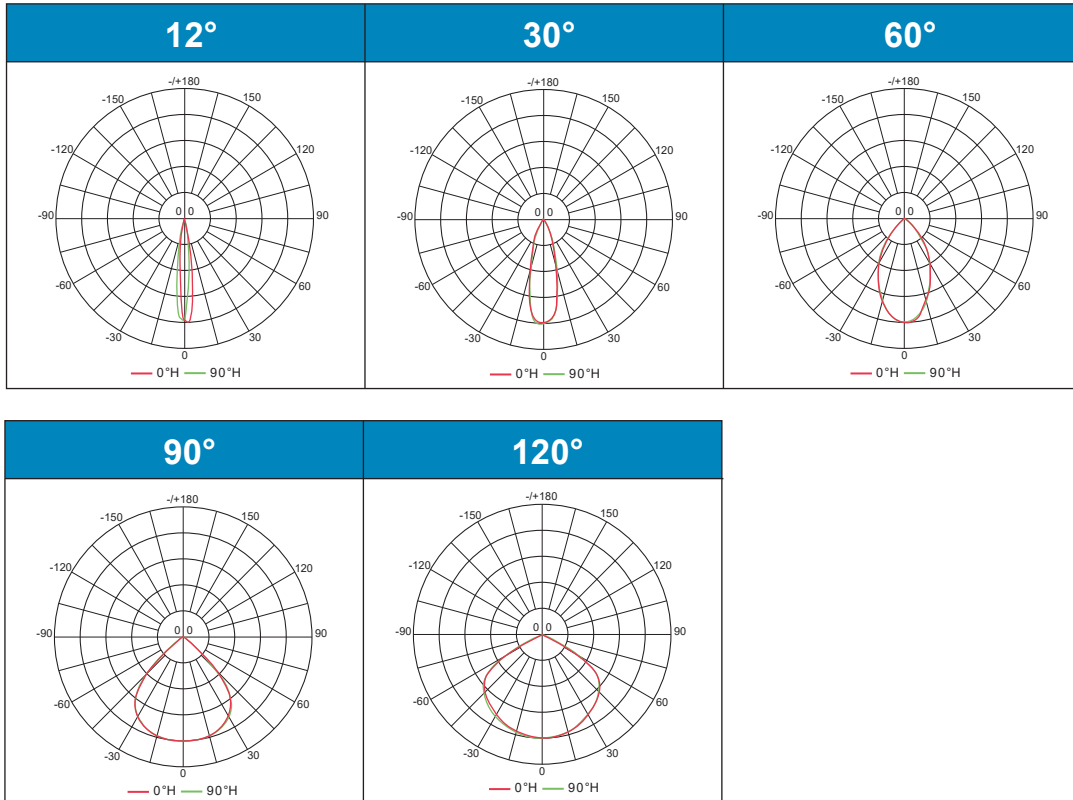
C.C.T., 30=3000K, 50=5000K

Voltage, H=100V~277V

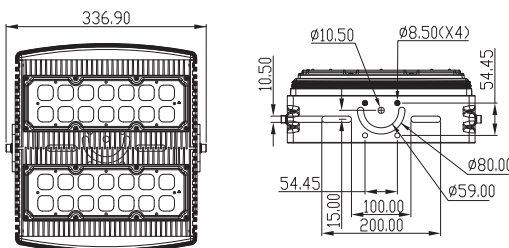
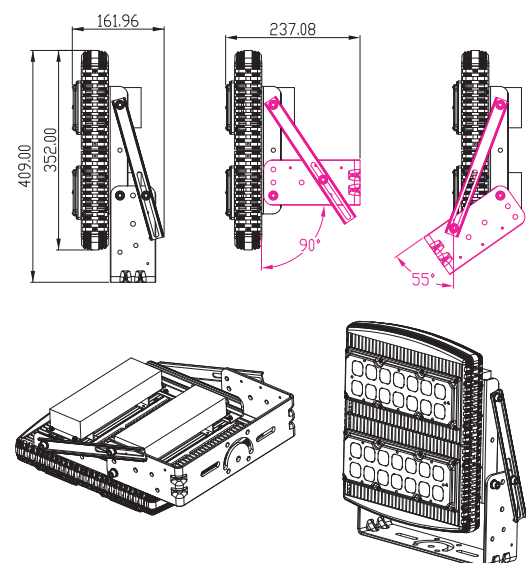
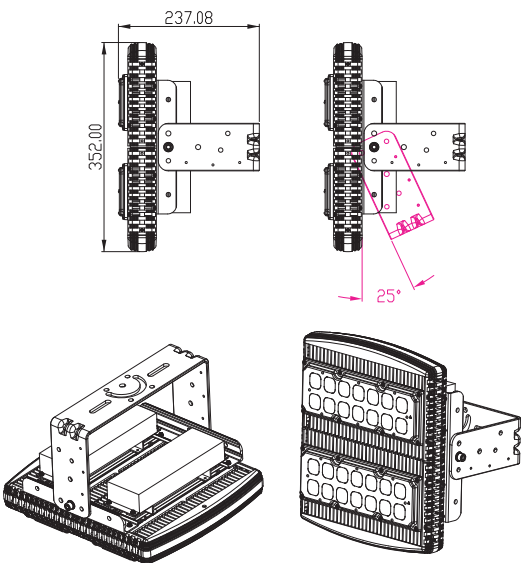
Lens, 0012=12°, 0030=30°,  
0060=60°, 0090=90°, 0120=120°

Bracket Type,  
0=Flood Light Mount,  
1=High Bay Light Mount

# Light Pattern



# Dimension Drawing (All in mm)

Dimension	Flood Light Mount
	
High Bay Light Mount	
	

# Dimming Signal (option):

- Dimming signal could be PWM or Vdc signal.
- 1~10V dimming function for output current adjustment (Typical)

## 1~10V dimming function for output current adjustment (Typical)

Dimming value	1V	2V	3V	4V	5V	6V	7V	8V	9V	10V	OPEN
Percentage of rated current	10%	20%	30%	40%	50%	60%	70%	80%	90%	100%	95%~108%

## 10V PWM signal for output current adjustment (Typical): Frequency range : 100Hz~3KHz

Dimming value	10%	20%	30%	40%	50%	60%	70%	80%	90%	100%	OPEN
Percentage of rated current	10%	20%	30%	40%	50%	60%	70%	80%	90%	100%	95%~108%

## Dimming cable pin assignment

Color	Function
White	DIM-
Blue	DIM+

# Application

- Stadium Lighting
- Sports Field Lighting
- High Mast Lighting
- Building Facade
- Billboard Lighting
- Area Lighting
- Parking Lot Lighting