



TOP HI-TECH CO., LTD.

Waterproof LED Street Light



60W
80W
100W

Specification Sheet

Design 2020 / 06



+886-2-2267-1234

sales@tht-ex.com

www.tht-ex.com

Product Features

- Unique design lighting fixture with private mold, Made in TAIWAN.
- Patented independent driver design, allows a single light source module or power module failure, will not affect the other modules, to prevent area without lighting and cause danger.
- Aluminum alloy housing with corrosion resistant hardware, super durable powder coating finish withstand extreme climate changes without cracking or pearling. Product passed 120 hrs. salt mist test.
- Advanced lamp mechanism for easy adjust lighting direction and replaceable optic lens.
- Up to 8 beam angles of IK10 Anti-UV optical lens and 2 type of mounting bracket available for various lighting application.
- LED driver available on 100~277Vac, 50/60Hz, IP67 water and dust resistance.
- 0~10V or PWM Dimming option on 100~277Vac.
- Wind tunnel safety testing approved- up to 42m/s (150 km/h; 94 mph) wind resistance.
- Certification for Lighting Fixture: CE/FCC.
- Certification for LED Driver: CE/FCC.
- EU energy efficiency class A+.
- L70 greater than 54,000 hrs. @50°C.

Specifications

60W

Model No.	THTL3LB006030H14252	THTL3LB006050H14252
Color Temp.	3000K	5000K
Wattage (±10%)	60W	60W
Luminous Flux (±10%)	9,010 lm	9,300 lm
Lum. / Wat. (±10%)	154 lm	159 lm
Input Voltage	100V-277V	100V-277V
Net Weight	3.2 kgs / 7.1 lbs	3.2 kgs / 7.1 lbs
CRI	≥70Ra	≥70Ra
Lens	Asymmetric (149°x(25°+50°))	
Dimming Options	0-10V dimming	
SPD	Optional 12kV / 6kV surge protection	
IP Rating	IP67	
Operating Temp.	-30°C ~ +50°C	
Lifespan	L70 greater than 54,000 hrs. @50°C	
Warranty	3-year warranty	

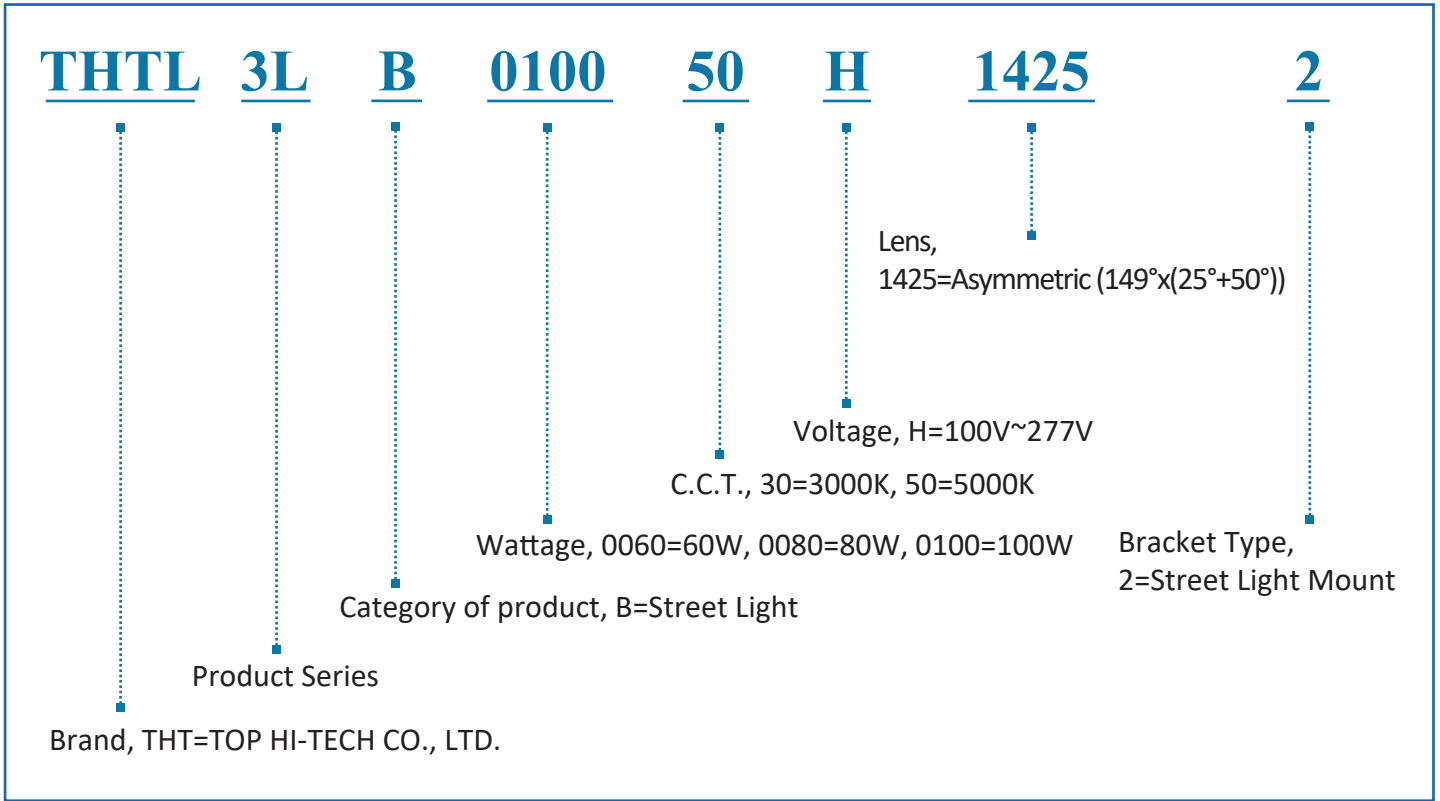
80W

Model No.	THTL3LB008030H14252	THTL3LB008050H14252
Color Temp.	3000K	5000K
Wattage (±10%)	80W	80W
Luminous Flux (±10%)	11,810 lm	11,850 lm
Lum. / Wat. (±10%)	150 lm	151 lm
Input Voltage	100V-277V	100V-277V
Net Weight	3.2 kgs / 7.1 lbs	3.2 kgs / 7.1 lbs
CRI	≥70Ra	≥70Ra
Lens	Asymmetric (149°x(25°+50°))	
Dimming Options	0-10V dimming	
SPD	Optional 12kV / 6kV surge protection	
IP Rating	IP67	
Operating Temp.	-30°C ~ +50°C	
Lifespan	L70 greater than 54,000 hrs. @50°C	
Warranty	3-year warranty	

100W

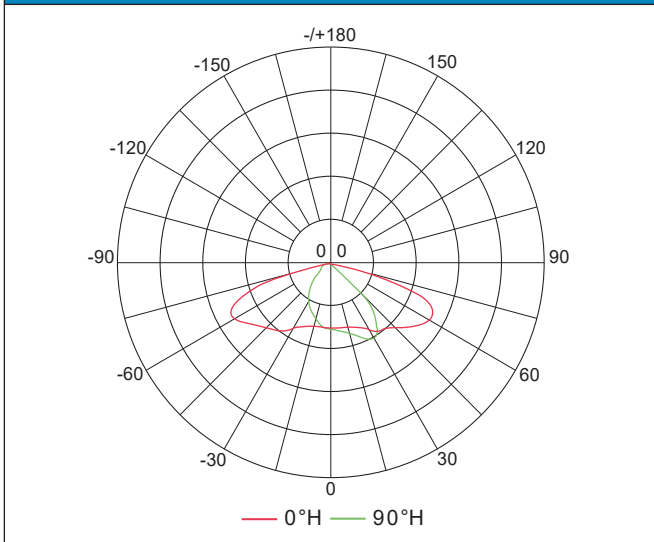
Model No.	THTL3LB010030H14252	THTL3LB010050H14252
Color Temp.	3000K	5000K
Wattage (±10%)	100W	100W
Luminous Flux (±10%)	14,460 lm	14,090 lm
Lum. / Wat. (±10%)	147 lm	143 lm
Input Voltage	100V-277V	100V-277V
Net Weight	3.2 kgs / 7.1 lbs	3.2 kgs / 7.1 lbs
CRI	≥70Ra	≥70Ra
Lens	Asymmetric (149°x(25°+50°))	
Dimming Options	0-10V dimming	
SPD	Optional 12kV / 6kV surge protection	
IP Rating	IP67	
Operating Temp.	-30°C ~ +50°C	
Lifespan	L70 greater than 54,000 hrs. @50°C	
Warranty	3-year warranty	

Ordering Information



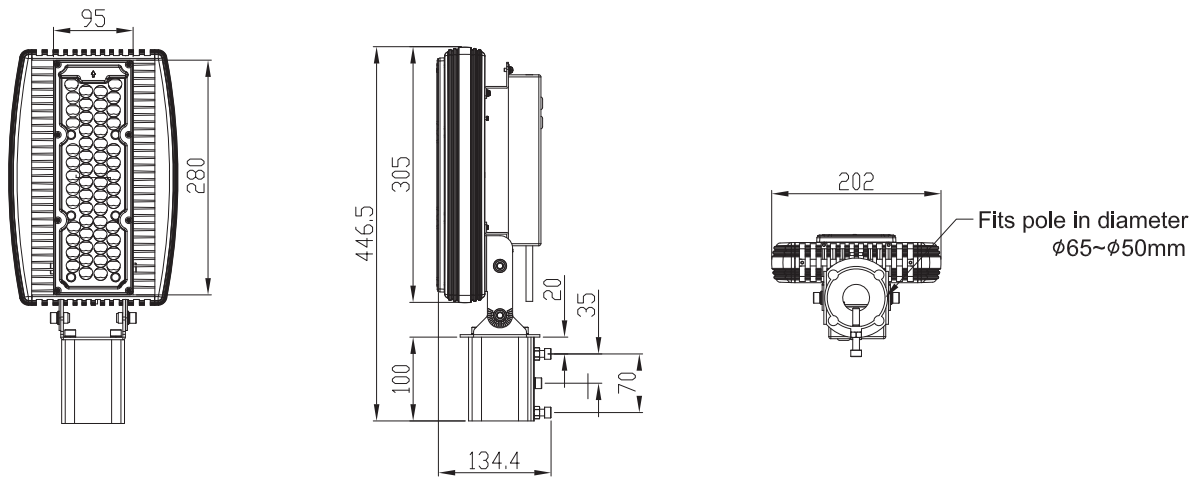
Light Pattern

Asymmetric (149°x(25°+50°))



Dimension Drawing (All in mm)

Street Light Mount



Dimming Signal (Option):

- Dimming signal could be PWM or Vdc signal.
- 1~10V dimming function for output current adjustment (Typical)

1~10V dimming function for output current adjustment (Typical)

Dimming value	1V	2V	3V	4V	5V	6V	7V	8V	9V	10V	OPEN
Percentage of rated current	10%	20%	30%	40%	50%	60%	70%	80%	90%	100%	95%~108%

10V PWM signal for output current adjustment (Typical): Frequency range : 100Hz~3KHz

Dimming value	10%	20%	30%	40%	50%	60%	70%	80%	90%	100%	OPEN
Percentage of rated current	10%	20%	30%	40%	50%	60%	70%	80%	90%	100%	95%~108%

Dimming cable pin assignment

Color	Function
White	DIM-
Blue	DIM+

Application

- Street Lighting
- Roadway Lighting
- Parking Lot Lighting
- Sports Field Lighting
- Area Facade