

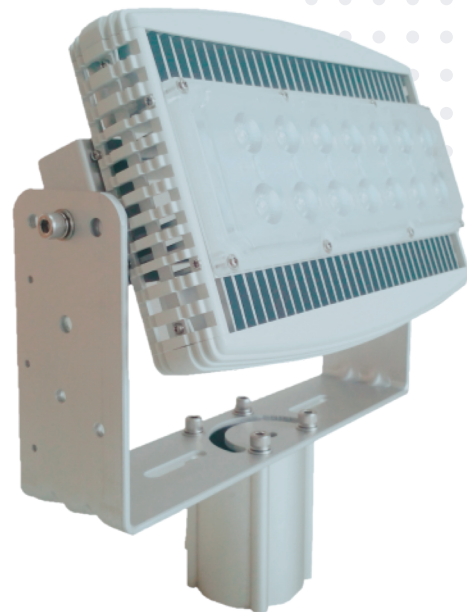


TOP HI-TECH CO., LTD.

Waterproof LED Flood Light



200W



Specification Sheet

Design 2020 / 06



+886-2-2267-1234

sales@tht-ex.com

www.tht-ex.com

Product Features

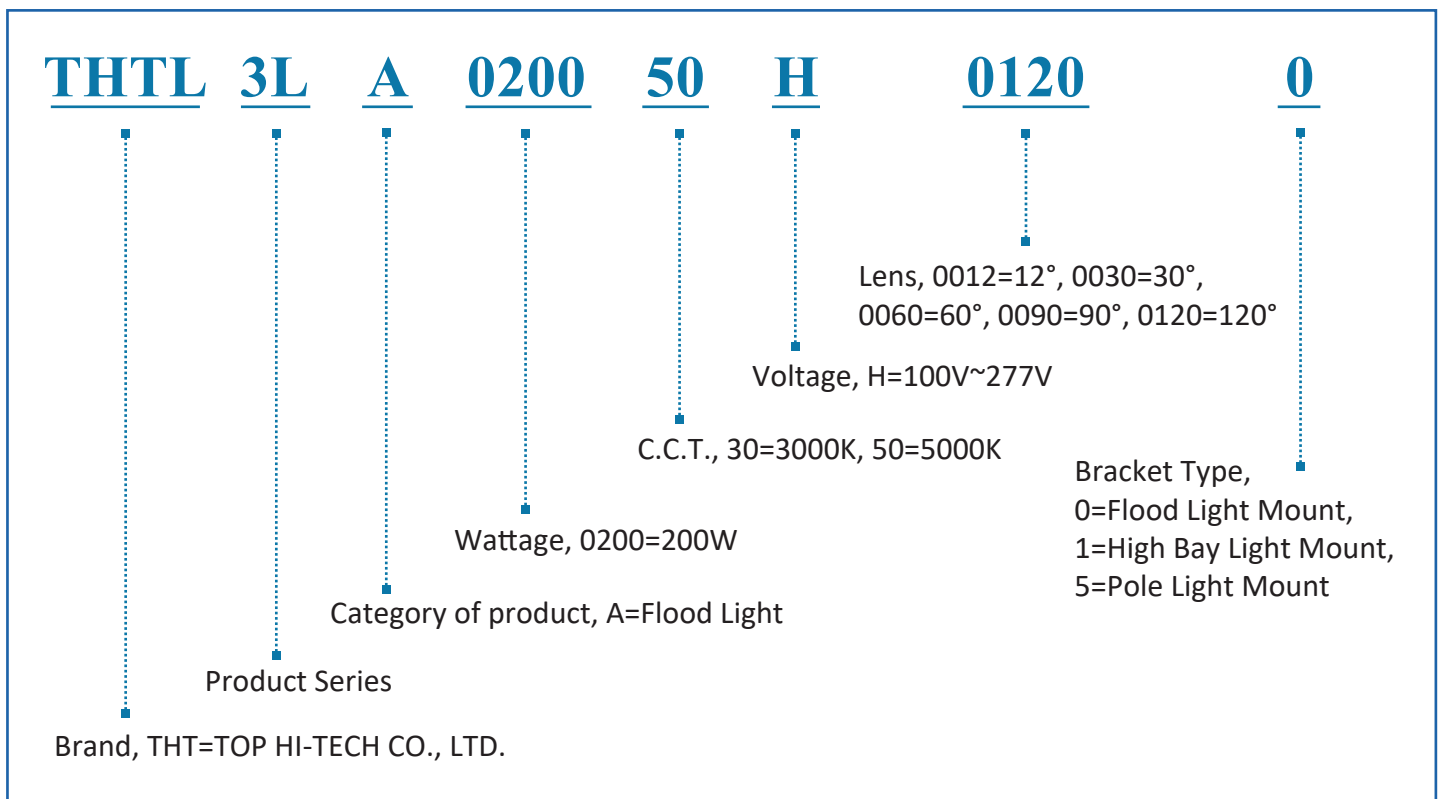
- Unique design lighting fixture with private mold, Made in TAIWAN.
- Patented independent driver design, allows a single light source module or power module failure, will not affect the other modules, to prevent area without lighting and cause danger.
- Aluminum alloy housing with corrosion resistant hardware, super durable powder coating finish withstand extreme climate changes without cracking or pearling. Product passed 120 hrs. salt mist test.
- Advanced lamp mechanism for easy adjust lighting direction and replaceable optic lens.
- Up to 8 beam angles of IK10 Anti-UV optical lens and 2 type of mounting bracket available for various lighting application.
- LED driver available on 100~277Vac, 50/60Hz, IP67 water and dust resistance.
- 0~10V or PWM Dimming option on 100~277Vac.
- Wind tunnel safety testing approved- up to 42m/s (150 km/h; 94 mph) wind resistance.
- Certification for Lighting Fixture: CE/FCC.
- Certification for LED Driver: CE/FCC.
- EU energy efficiency class A+.
- L70 greater than 54,000 hrs. @50°C.

Specifications

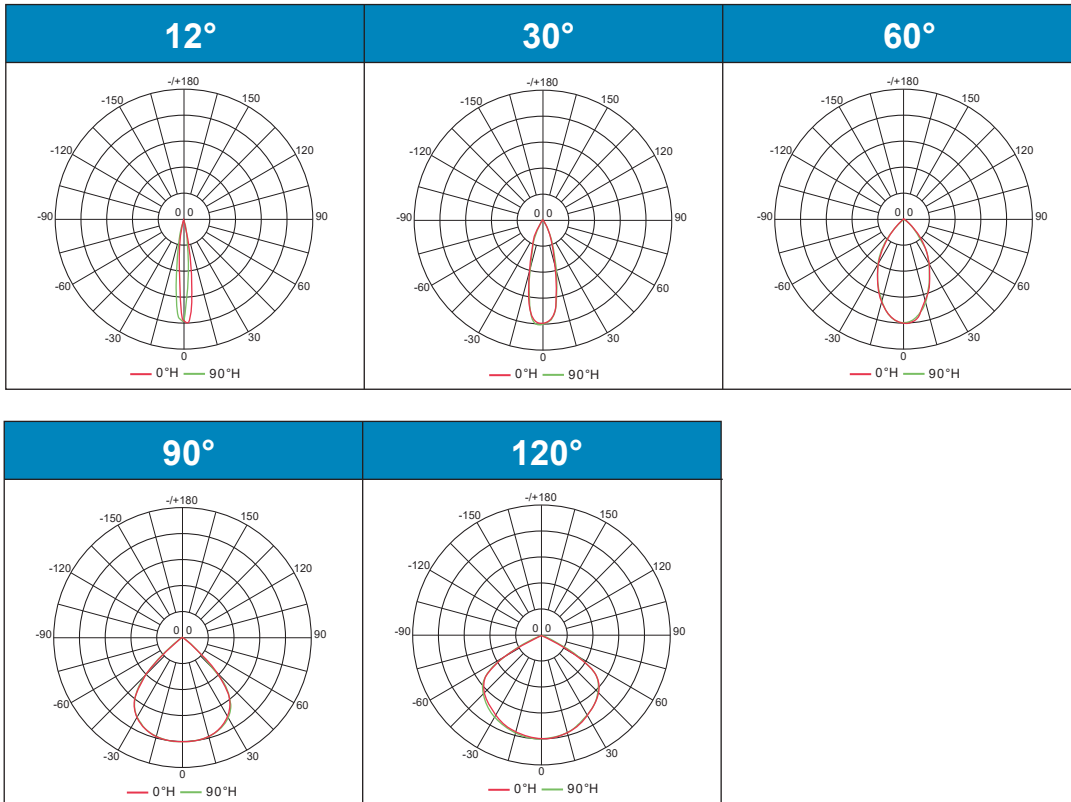
Model No.	THTL3LA020030H0XXXX	THTL3LA020050H0XXXX
Color Temp.	3000K	5000K
Wattage (±10%)	200W	200W
Luminous Flux (±10%)	19,000 lm	28,470 lm (12° Lens 24,240 lm)
Lum. / Wat. (±10%)	97 lm	146 lm (12° Lens 125 lm)
Input Voltage	100V-277V	100V-277V
Net Weight	4.1 kgs / 9.0 lbs	4.1 kgs / 9.0 lbs
CRI	≥70Ra	≥70Ra
Lens	12°***, 30°, 60°, 90°, 120°	
Dimming Options	0-10V dimming	
SPD	Optional 12kV / 6kV surge protection	
IP Rating	IP67	
Operating Temp.	-30°C ~ +50°C	
Lifespan	L70 greater than 54,000 hrs. @50°C	
Warranty	3-year warranty	

***12° Lens only 5000K

Ordering Information



Light Pattern



Dimming Signal (Option):

- Dimming signal could be PWM or Vdc signal.
- 1~10V dimming function for output current adjustment (Typical)

1~10V dimming function for output current adjustment (Typical)

Dimming value	1V	2V	3V	4V	5V	6V	7V	8V	9V	10V	OPEN
Percentage of rated current	10%	20%	30%	40%	50%	60%	70%	80%	90%	100%	95%~108%

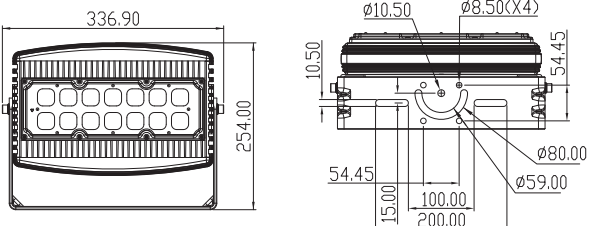
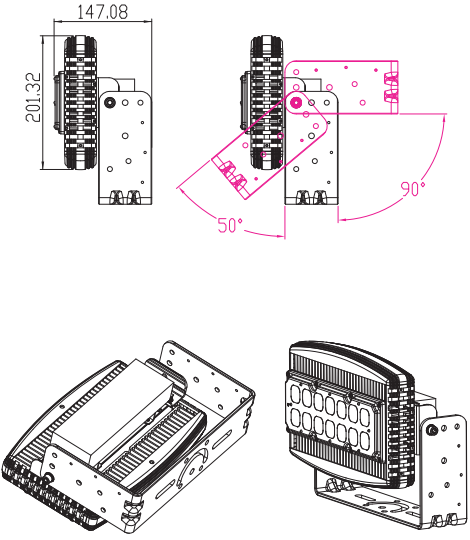
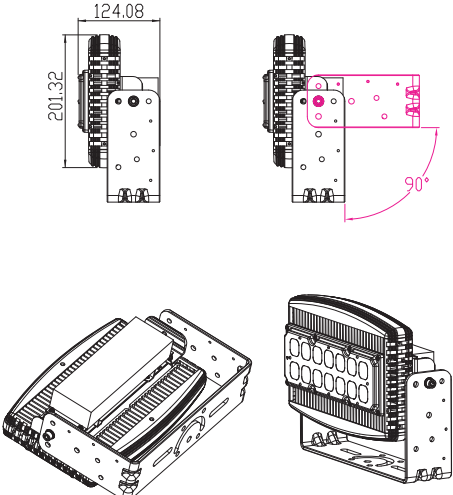
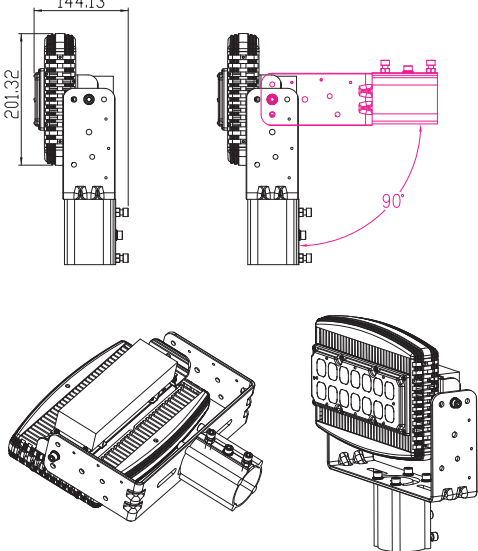
10V PWM signal for output current adjustment (Typical): Frequency range : 100Hz~3KHz

Dimming value	10%	20%	30%	40%	50%	60%	70%	80%	90%	100%	OPEN
Percentage of rated current	10%	20%	30%	40%	50%	60%	70%	80%	90%	100%	95%~108%

Dimming cable pin assignment

Color	Function
White	DIM-
Blue	DIM+

Dimension Drawing (All in mm)

Dimension	Flood Light Mount
	
High Bay Light Mount	Pole Light Mount
	

Application

- Stadium Lighting
- Sports Field Lighting
- High Mast Lighting
- Building Facade
- Billboard Lighting
- Area Lighting
- Parking Lot Lighting