



TOP HI-TECH CO., LTD.

# Waterproof LED Search Light



## 190W

## Specification Sheet

Design 2020 / 09

(Image for reference only.)



+886-2-2267-1234

sales@tht-ex.com

www.tht-ex.com

# Product Features

- 3000W LED search light corresponding to search light of Suez Canal.
- IP66, Salt spray test and Vibration test compliance.
- Compatible with harsh environments to demonstrate the marine performance required for ship lighting.
- Long lifespan up to 40,000 hours.
- It is a high-brightness LED component that reduces power consumption to 1/10 the power of traditional lighting, reducing engine load and significantly reducing the fuel cost of power generation.
- There are vents prevent fog inside the lamp.
- Control of manual or automatic for optional.
- Excellent Luminous intensity distribution with beam angle 5°.
- High levels of light uniformity (70%+).
- No Mercury, RoHs compliance.
- No UV, IR light radiation.
- International Standards  
CNS 3912 Photometric test  
CNS 14335 / 14165 IP66  
CNS 10255 Vibration test  
CNS 8886 Salt spray test

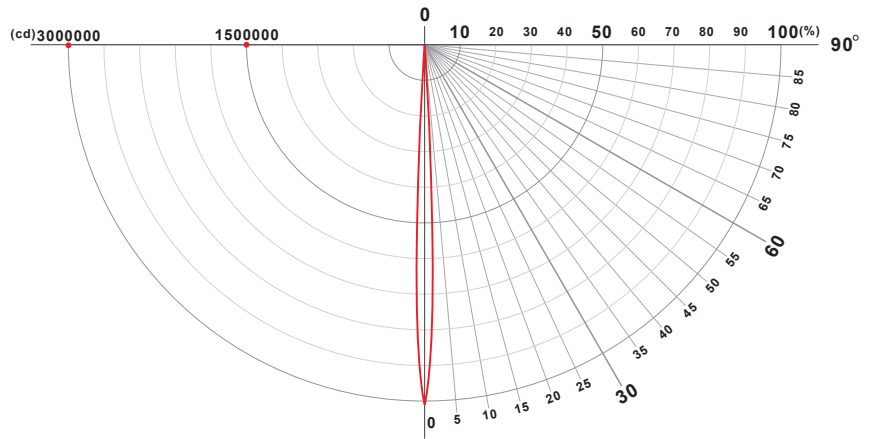


# Specifications

Model No.	THTLYUL6649CGT005
Color Temp.	5000K (Cool White)
Wattage (±10%)	190W (Equivalent to conventional products: 3000W)
Luminous Flux (±10%)	22,700 lm
Lum. / Wat. (±10%)	119 lm
Input Voltage	100V-240V
Net Weight (±10%)	20.0 kgs / 44.1 lbs
CRI	Ra 75
Beam Angle (θ)	5°
Lux @ 25m	4800 Lux / 25m
Frequency Range	50 Hz / 60Hz
IP Rating	IP66
Operating Temp.	-25°C ~ +50°C
Lifespan	40,000 hrs
Warranty	2-year warranty

The value of power consumption reduction will vary depending on the product.

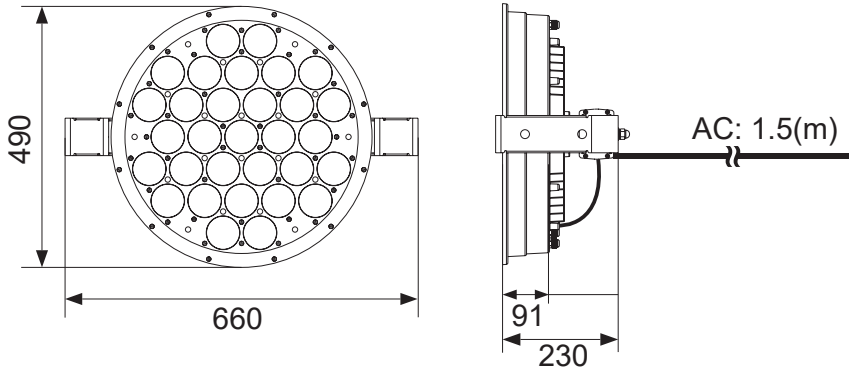
# Light Pattern



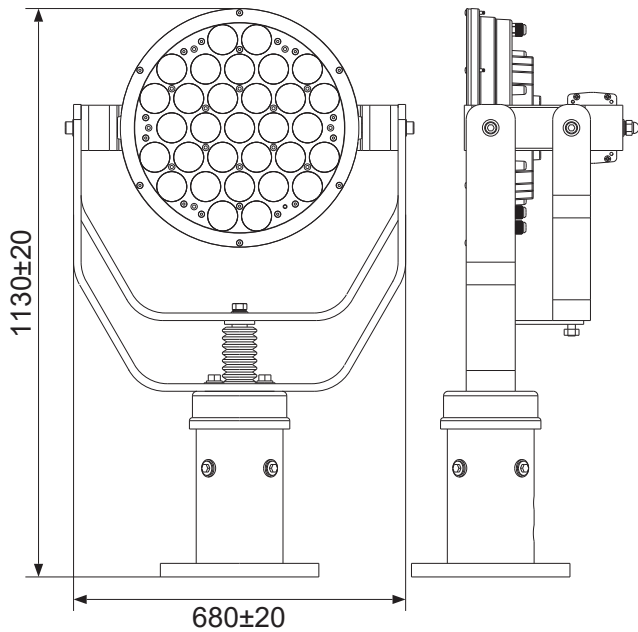
Beam width:	1.1m	
	4800 lux in center	25m
Beam width:	4.4m	
	300 lux in center	100m
Beam width:	8.7m	
	75 lux in center	200m

Beam Angle  $\theta = 5^\circ$

# Dimension Drawing (All in mm)



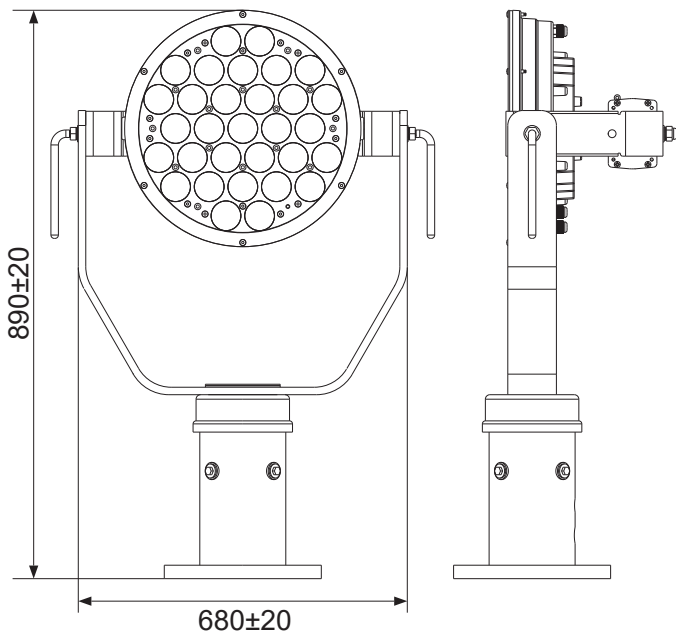
## Type-remote control



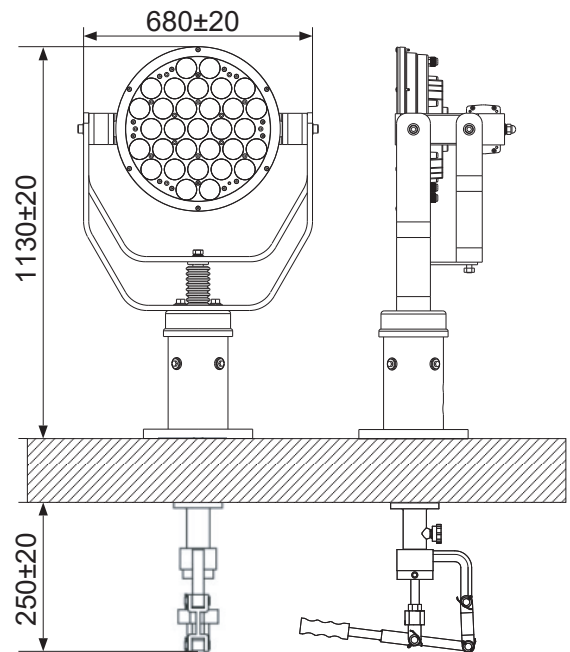
### Reference

Depression angle:  $30^\circ$   
Elevation angle:  $16^\circ$   
Pivotal angle:  $270^\circ$   
Rotation speed:  $1.1^\circ/\text{sec}$   
Swing speed:  $6^\circ/\text{sec}$

## Type-outdoor control



## Type-indoor control



# Wiring Diagram

