

A1301

Explosion-proof Switches (use with PLC)



A1301A/C



A1301B/D



Zone 1
Zone 2
Zone 21
Zone 22
IP6X

Protection

- Ex db IIC T6 Gb
- Ex tb IIIC T85°C Db
- Ⓜ II 2 G Ex db IIC T6 Gb
- Ⓜ II 2 D Ex tb IIIC T85°C Db

Standards

- IEC 60079-0
- IEC 60079-1
- IEC 60079-31
- EN 60079-0
- EN 60079-1
- EN 60079-31

Technical Data

Model	A1301A	A1301B	A1301C	A1301D
Product Type	Single-Push Switch	Two-Push Switch	Single-Circuit Breaker	Two-Circuit Breaker
Voltage	600V	600V	125/250V	125/250V
Current Capacity	10A	10A each	3A to 20A	3A to 20A each
Wire Gauge	28~14 AWG	28~14 AWG	28~12 AWG	28~12 AWG
Operating Temperature	-40°C ~ + 55°, T6			
Degree of Protection	IP 6X			
Material	●Enclosure: Aluminum alloy ●Sealing Gasket: Silicone			
Entrance Thread	Cable Entry and Screw Plug-NPT 3/4"			
Circuit Breaker	<ul style="list-style-type: none"> ●Dielectric Strength: 1,500Vac 1 minute ●Insulation Resistance: >500M ohms ●Interrupting Capacity: 1,000A/125Vac; 200A/250Vac ●Overload Capacity: 6 times rated current ●Reset Time: <30sec at 25 			

Model Code

THT	2	S	1301	1	ZR	2	L	00
				①	②	③	④	

① Element Type

- 1=Push Control Button
- 3=Breaker Control Button

② Element Features and Quantity

- ZR= Single Long Hold Open Switch (N.O.)
- ZG= Single Long Hold Close Switch (N.C.)
- RR= Two Open Switch (N.O.)
- GG= Two Close Switch (N.C.)
- RG= One Open and One Close Switch (N.O. and N.C.)

③ Box Cable Hole Type

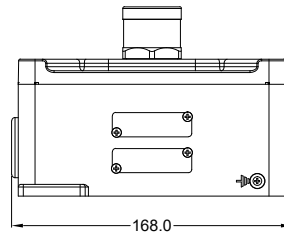
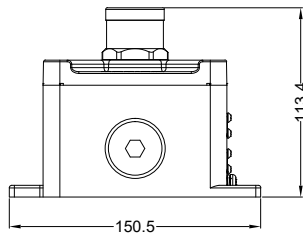
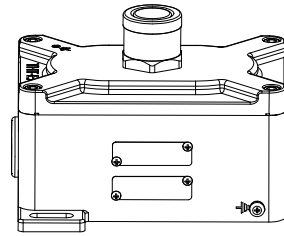
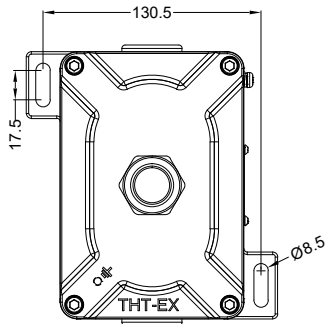
- 1= Alone Hole
- 2= Double Holes

④ Cable Gland Type

- L=Long Type
- S=Short Type

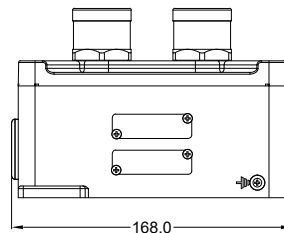
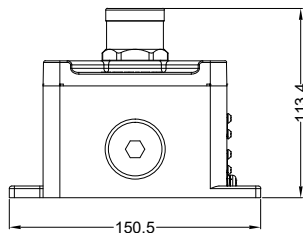
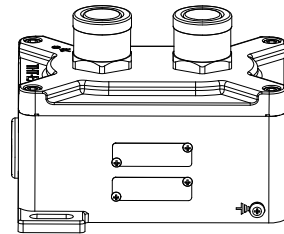
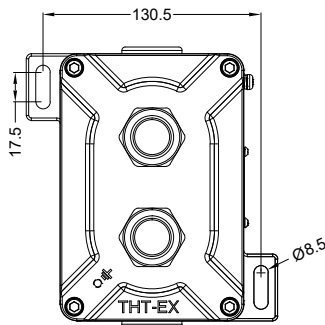
Dimensions (All in mm)

A1301A / C



1.25 kg (2.76 lb)

A1301B / D



1.30 kg (2.86 lb)

Applicable Area

- Oil Refinery Complex
- Petrochemical Complex
- Painting Facility
- Transporting Nature Gas
- Transporting Liquefied Petroleum Gas
- Offshore Platform (Oil and Natural Gas)