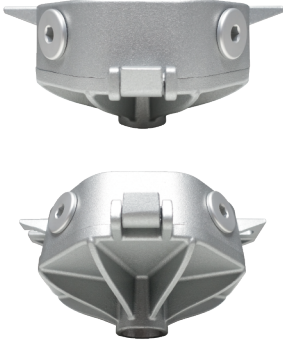


A1901/1901B Explosion-proof Junction Box

**A1901
(For Lighting)**



1901B



Zone 1
Zone 2
Zone 21
Zone 22
IP67
NEMA 6

Protection

- Ex eb IIC T5 Gb
- Ex tb IIIC T95°C Db
- Ex II 2 G Ex eb IIC T5 Gb
- Ex II 2 D Ex tb IIIC T95°C Db

Standards

- IEC 60079-0
- IEC 60079-7
- IEC 60079-31
- EN 60079-0
- EN 60079-7
- EN 60079-31

Net Weight: 1.9 kg (4.2 lb)



**A1901 Junction Box
+
L1102 LED Light**

Technical Data

Rated Operational Voltage	320V
Connection Terminal Max.	Max. 23A
Current Capacity	Max. 8A
Cross Sectional Area of Wire	Min. 0.2 mm ² to 2.5 mm ² Single-core, finely stranded and stranded
Material	<ul style="list-style-type: none"> • Enclosure: Aluminum alloy • Sealing Gasket: Silicone
Entrance Thread	NPT 1/2", NPT 3/4", M20, M25

Model Code

THT	2	J	N	034	2	A1901	05
			①	②		③	④

① **Thread Type**
N=NPT, M=Metric

② **Thread Size**
012=1/2"
020=M20,
025=M25,
034=3/4"

③ **Model Name**
A1901=Model A1901 series (For Lighting)
1901B=Model A1901 series without Bottom

④ **Series Number**
01=Single hole
02=Double holes
03=Triple holes
04=Four holes
05=Five holes

Applicable Area

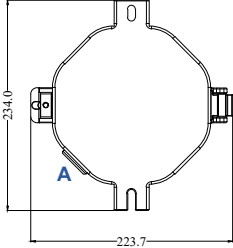
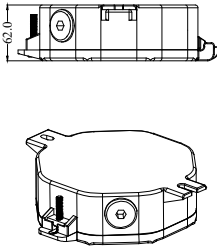
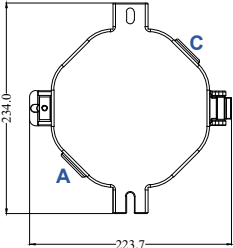
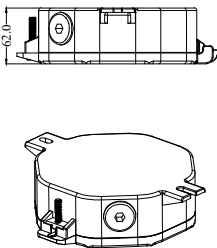
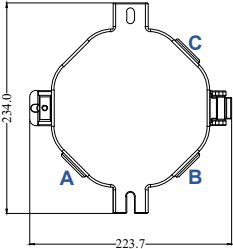
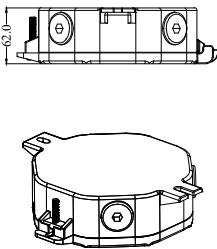
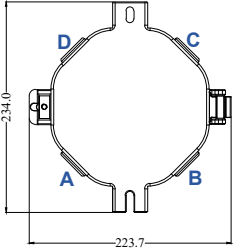
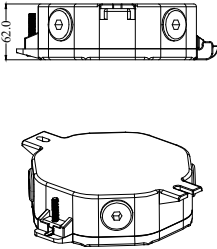
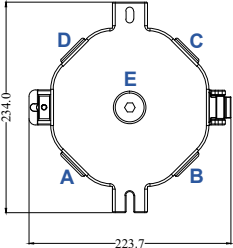
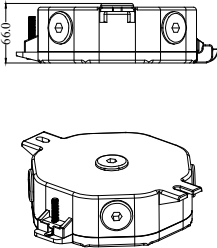
- Oil Refinery Complex
- Petrochemical Complex
- Painting Facility
- Transporting Nature Gas
- Transproting Liquefied
- Petroleum Gas
- Offshore Platform (Oil and Natural Gas)

A1901 – Mounting Option & Dimensions (All in mm)

Entry	Type 1	Type 2
1		
2		
3		
4		<div data-bbox="749 1209 1021 1249" style="background-color: #0056b3; color: white; padding: 2px;">Installation Diagram</div>
5		

**You may choose the open hole from our designed position.*

1901B – Mounting Option & Dimensions (All in mm)

Entry	Type	
1		
2		
3		
4		
5		

**You may choose the open hole from our designed position.*