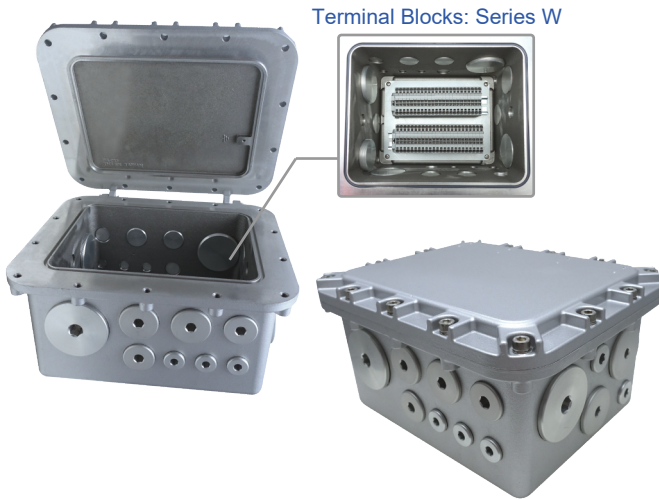


A1723

Explosion-proof Junction Box



Terminal Blocks: Series W

Zone 1	Zone 2	Zone 21	Zone 22	IP67	NEMA 6
------------------	------------------	-------------------	-------------------	-------------	------------------

Protection

- Ex db IIB+H2 T5 Gb
- Ex tb IIIC T95°C Db
- ⓂII 2 G Ex db IIB+H2 T5 Gb
- ⓂII 2 D Ex tb IIIC T95°C Db

Standards

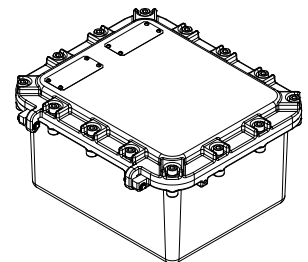
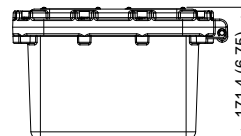
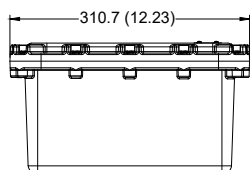
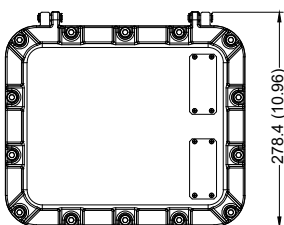
- IEC 60079-0
- IEC 60079-1
- IEC 60079-31
- EN 60079-0
- EN 60079-1
- EN 60079-31

Net Weight: 13.7 kg (30.2 lb)

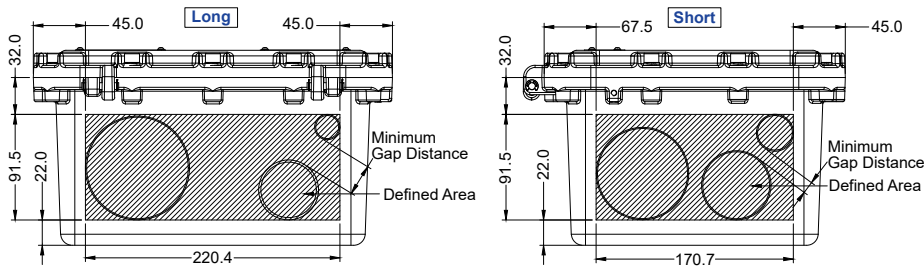
Technical Data

Ambient Temperature	-20°C~+50°C, T5	
Degree of Protection	IP67 / NEMA 6	
Material	<ul style="list-style-type: none"> • Enclosure: Aluminum alloy • O-ring (Gasket): Silicone • Accessories: SUS 304 	
Rated Terminal Block Voltage/Current	Terminal Blocks Series D D15:1000V/150A D10:630V/120A D06:630V/76A D03:800V/25A D02:800V/20A	Terminal Blocks Series W WA0:1000V/100A W16:800V/50A W10:800V/40A W06:800V/30A W04:800V/20A
Thread Size	Please refer to Table 1.	
Cable OD Range	NPT 3/8"(M16)hole --- 3.1~8.6mm NPT 1/2"(M20)hole --- 6.5~14.0mm NPT 3/4"(M25)hole --- 11.0~20.0mm NPT 1"(M32)hole --- 17.0~26.3mm NPT 1-1/4"(M40)hole --- 22.0~32.2mm NPT 1-1/2"(M50)hole --- 29.5~38.2mm NPT 2"(M63)hole --- 35.6~44.0mm	

Dimensions [All in mm (inches)]



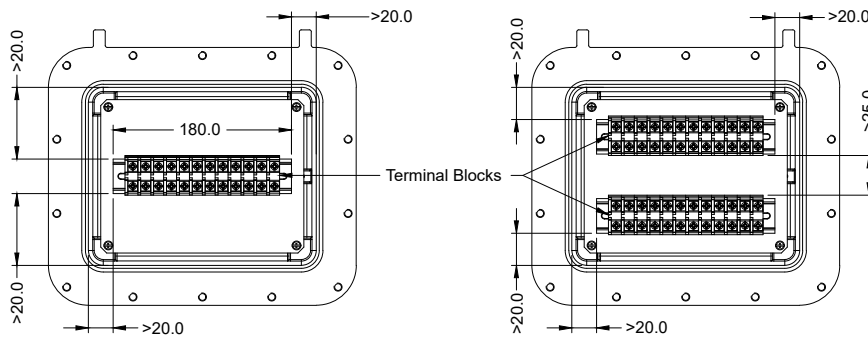
Defined Area & Removal Rule (For Customize Type)



Type\side	Short	Long
M16 / NPT 3/8"	8	10
M20 / NPT 1/2"	8	10
M25 / NPT 3/4"	6	8
M32 / NPT 1"	6	8
M40 / NPT 1-1/4"	2	3
M50 / NPT 1-1/2"	2	3
M63 / NPT 2"	1	2

Thread size	3/8(M16)	1/2(M20)	3/4(M25)	1(M32)	1-1/4(M40)	1-1/2(M50)	2(M63)
3/8(M16)	18.0						
1/2(M20)	18.0	18.0					
3/4(M25)	18.0	18.0	18.0				
1(M32)	17.5	17.5	19.0	18.0			
1-1/4(M40)	19.5	19.5	20.0	20.0	22.0		
1-1/2(M50)	19.5	19.5	20.5	20.0	22.0	22.0	
2(M63)	20.0	20.0	21.0	20.5	22.0	22.5	22.5

Quantity & Specification of Terminal Block



Series	Terminal type	Electrical data	Max Quantity	The cross sectional area of wire	Strip Length
D15	Screw type	1000V / 150A	6	10.0~70.0mm ²	N/A
D10		630V / 120A	5	10.0~25.0mm ² (Bare wire) 10.0~50.0mm ²	N/A
D06		630V / 76A	9	0.75~16.0mm ²	N/A
D03		800V / 25A	(One row)8 (Two row)24	0.34~4.0mm ²	N/A
D02		800V / 20A	(One row)10 (Two row)20	0.34~2.5mm ²	N/A
WA0	Cage Clamp type	1000V / 100A	10	6~35mm ²	23mm
W16		800V / 50A	14	Solid conductor :0.5~16mm ² Solid conductor, push-in termination :6~16mm ² Fine-stranded conductor :0.5~25mm ²	18~20mm
W10		800V / 40A	14	Solid conductor :0.5~16mm ² Solid conductor, push-in termination :4~16mm ² Fine-stranded conductor :0.5~16mm ²	17~19mm
W06		800V / 30A	18	Solid conductor :0.5~10mm ² Solid conductor, push-in termination :2.5~10mm ² Fine-stranded conductor :0.5~10mm ²	13~15mm
W04		800V / 20A	(One row)20 (Two row)40	Solid conductor :0.5~6mm ² Solid conductor, push-in termination :1~6mm ² Fine-stranded conductor :0.5~6mm ²	11~13mm

Model Code

-Standards

THT	J	1723	0	D15	01	0	0	0	0
				①	②	③	④	⑤	⑥

① Terminal Type

- D series
- W series
- D15, D10
- WA0, W16
- D06, D03
- W10, W06
- D02
- W04

② Quantity of Terminal

01=1Pcs, 10=10Pcs
(The max. quantity of terminal, please refer to Table 3.)

③ Thread Type of Side A

- 0=No thread hole
- 1=M63 x1 A=NPT 2" x1
 - 2=M50 x2 B=NPT 1-1/2" x2
 - 3=M40 x2 C=NPT 1-1/4" x2
 - 4=M32 x6 D=NPT 1" x6
 - 5=M25 x6 E=NPT 3/4" x6
 - 6=M20 x8 F=NPT 1/2" x8
 - 7=M16 x8 G=NPT 3/8" x8

④ Thread type of side B

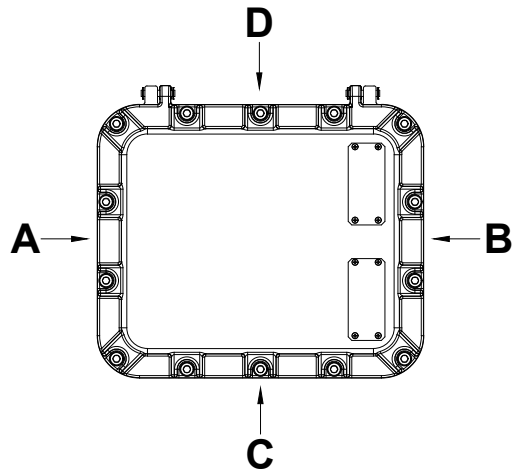
- 0=No thread hole
- 1=M63 x1 A=NPT 2" x1
 - 2=M50 x2 B=NPT 1-1/2" x2
 - 3=M40 x2 C=NPT 1-1/4" x2
 - 4=M32 x6 D=NPT 1" x6
 - 5=M25 x6 E=NPT 3/4" x6
 - 6=M20 x8 F=NPT 1/2" x8
 - 7=M16 x8 G=NPT 3/8" x8

⑤ Thread type of side C

- 0=No thread hole
- 1=M63 x2 A=NPT 2" x2
 - 2=M50 x3 B=NPT 1-1/2" x3
 - 3=M40 x3 C=NPT 1-1/4" x3
 - 4=M32 x8 D=NPT 1" x8
 - 5=M25 x8 E=NPT 3/4" x8
 - 6=M20 x10 F=NPT 1/2" x10
 - 7=M16 x10 G=NPT 3/8" x10

⑥ Thread type of side D

- 0=No thread hole
- 1=M63 x2 A=NPT 2" x2
 - 2=M50 x3 B=NPT 1-1/2" x3
 - 3=M40 x3 C=NPT 1-1/4" x3
 - 4=M32 x8 D=NPT 1" x8
 - 5=M25 x8 E=NPT 3/4" x8
 - 6=M20 x10 F=NPT 1/2" x10
 - 7=M16 x10 G=NPT 3/8" x10



-Customize (Below is model code for customize when standards cannot conform the customer requirement.)

THT	J	1723	XXXXXXXXXX
			①

① Variant number

Mounting Type

