



L1811A/B

Luminaires
for use in Hazardous Locations



Protection

- Class I, Division 1 Group B, C, D
- Class II, Division 1 Group E, F, G
- Class III, Division 1

Standards

- UL 844
- UL 1598 Luminaires
- UL 8750
- CSA C22.2 No. 137-18
- CSA C22.2 No. 250.0
- CSA C22.2 No. 250.13

Net Weight: 10.0 kg (22.0 lb)

Technical Data

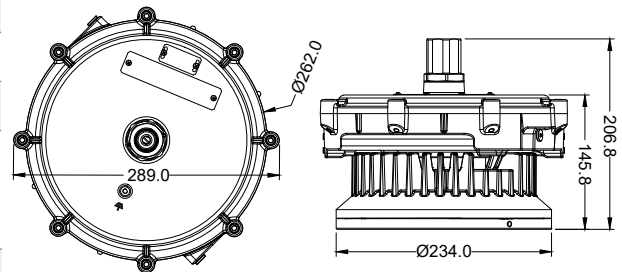
Rated Voltage ($\pm 10\%$)	L1811A: 100V ~ 277V AC (Full Voltage) L1811B: 110V / 120V / 220V / 277V AC
Total System Power Consumption (+10%)	L1811A: 120W (LED:80W) L1811B: 100W (LED:80W)
Amps	0.36A ~ 1.20A
Color of LED Light	Warm White / Cool White
Ambient Temperature	-20°C ~ +40°C, T6(CID1) / T3C (CIID1)
Power Factor	$\cos \geq 0.9$
CRI	Cool White ≥ 70 / Warm White ≥ 80
Lumen ($\pm 10\%$)	Cool White $\geq 8000\text{lm}$ / Warm White $\geq 7200\text{lm}$
Beam Angle	X-110° / Y-110°
Frequency	50 / 60 Hz
Degree of Protection	IP67 / NEMA 6
Material	<ul style="list-style-type: none"> • Enclosure: Aluminum alloy • Glass: Heat & impact resistant tempered glass
LED Service Life	60,000 hrs
Entrance Thread	M30 (Female Thread)

Battery Backup

- Emergency mode output wattage: L1811A-80W, L1811B-40W
- Charging time: 48 hours
- Emergency mode illumination time: 120 minutes
- UL 2054 certified Li-ion battery

*Panasonic Battery

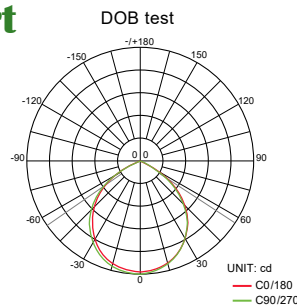
*When the fixture is not in use, please charge 48 hours every month to maintain the battery's performance.



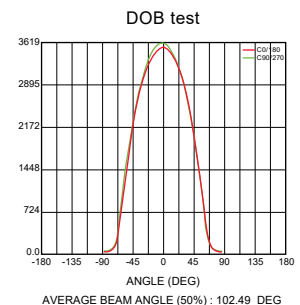
Dimension in Millimeters (inches)

Optical Report

Polar Luminous Intensity Distribution



Luminous Intensity Distribution Diagram



Model Code

THT	E	1811	A	C	A	C	H	L0	W90
			①			②	③	④	⑤

① **Sub-series Designation**
 A=A type, Two sets of batteries
 B=B type, One set of battery

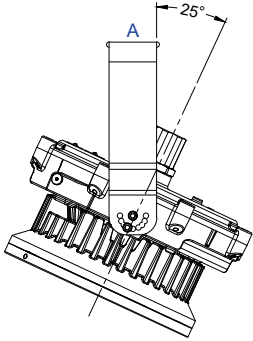
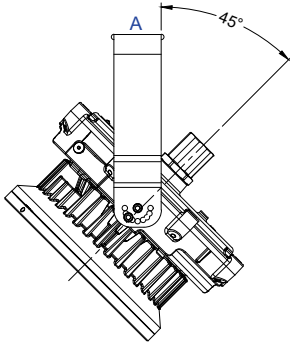
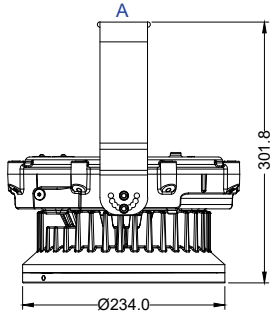
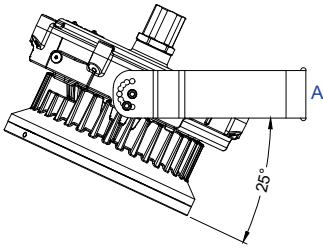
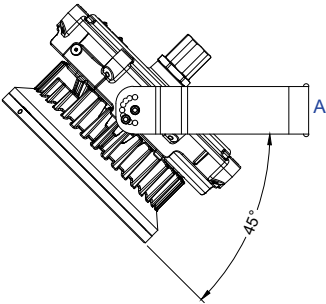
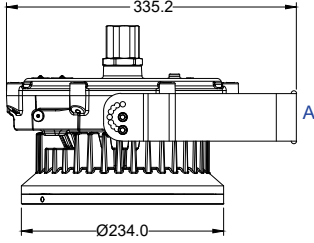
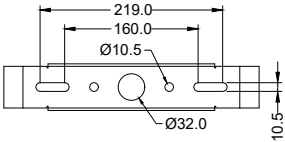
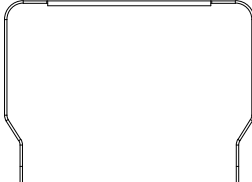
② **Color of LED Light**
 C=Cool White
 W=Warm White

③ **Voltage**
 H=100V~277V
 1=110V, 2=220V, 6=120V, 9=277V
 *A type is full range voltage, code =H
 B type is single voltage, code =1, 2, 6, 9

④ **Wattage**
 L0=120W (A type only)
 J0=100W (B type only)

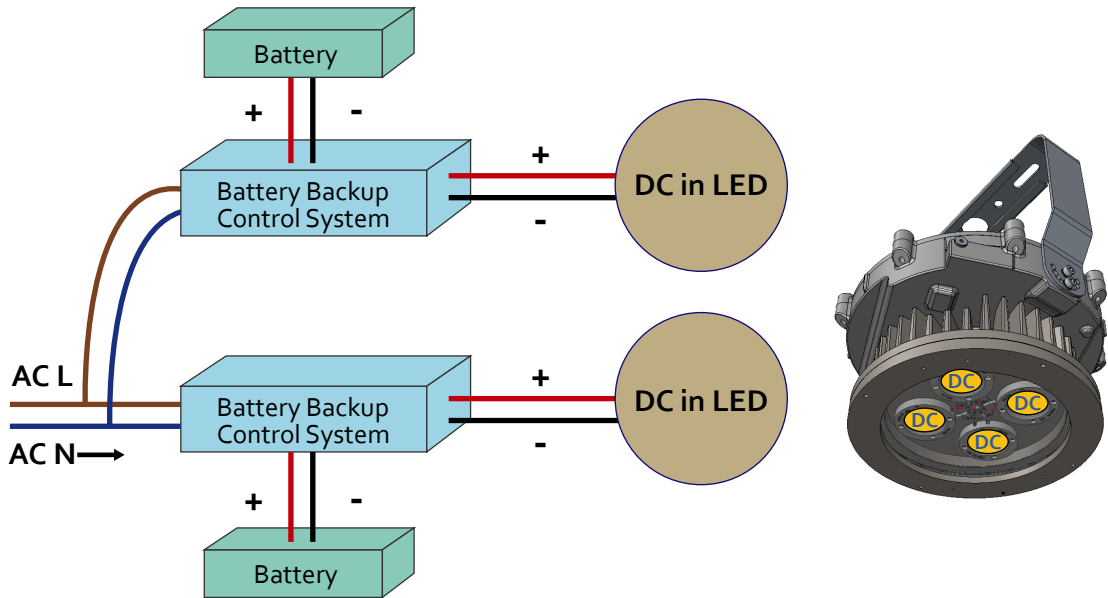
⑤ **Mounting Bracket Type**
 WHT=Wall/Hanging Mount

Mounting Option & Dimensions (All in mm)

<p>Hanging Mount 25° (H25)</p>  <p>11.0 kg (24.3 lb)</p>	<p>Hanging Mount 45° (H45)</p>  <p>11.0 kg (24.3 lb)</p>	<p>Hanging Mount 90° (H90)</p>  <p>11.0 kg (24.3 lb)</p>	
<p>Wall Mount 25° (W25)</p>  <p>11.0 kg (24.3 lb)</p>	<p>Wall Mount 45° (W45)</p>  <p>11.0 kg (24.3 lb)</p>	<p>Wall Mount 90° (W90)</p>  <p>11.0 kg (24.3 lb)</p>	
<p>View A</p> 			

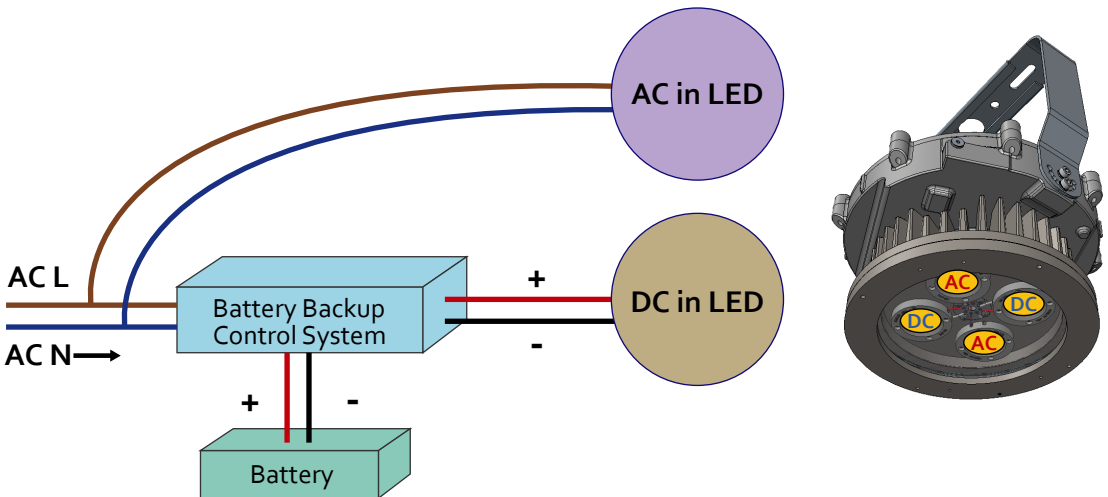
Battery Backup Operation Description

Model L1811A



	General mode	Emergency mode
DC in LED	Light On	Light On
Total LED Watt.	80W	80W

Model L1811B



	General mode	Emergency mode
AC in LED	Light On	Light Off
DC in LED	Light On	Light On
Total LED Watt.	80W	40W