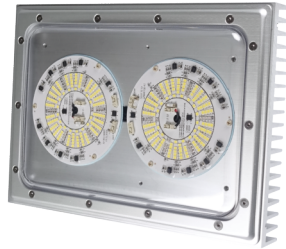
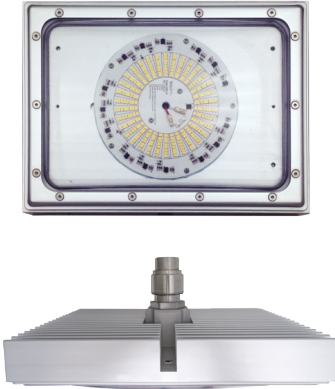


L1403AS

Hazardous Location LED Lighting



80W

Zone 2
Zone 21
Zone 22
IP67
NEMA 6

Protection

- Ex nR IIC T5 Gc
- Ex tb IIIC T100°C Db
- ⓂII 3 G Ex nR IIC T5 Gc
- ⓂII 2 D Ex tb IIIC T100°C Db

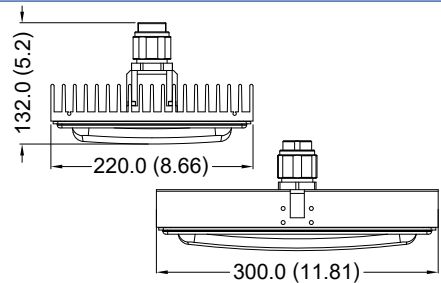
Standards

- IEC 60079-0
- IEC 60079-15
- IEC 60079-31
- EN 60079-0
- EN 60079-15
- EN 60079-31

Net Weight: 5.0 kg (11.0 lb)

Technical Data

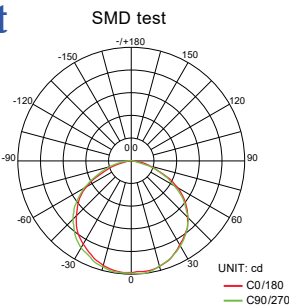
Rated Voltage (±10%)	110V / 220V / 277V AC				
Watts (±10%)	65W / 75W / 80W / 95W				
Amps	65W 110V: 0.59A, 220V: 0.30A, 277V: 0.23A / 75W 110V: 0.68A, 220V: 0.34A, 277V: 0.27A / 80W 110V: 0.73A, 220V: 0.36A, 277V: 0.29A / 95W 110V: 0.86A, 220V: 0.43A, 277V: 0.34A				
Color of LED Light	3000K (Warm White) / 5000K (Cool White)				
Ambient Temperature	-25°C ~ +55°C, T5				
Power Factor	cos ≥ 0.9				
CRI	Cool White ≥ 70 / Warm White ≥ 80				
Lumen (±10%)	SMD	65W	75W	80W	95W
	3000K	5850lm	6750lm	7200lm	8550lm
	5000K	6500lm	7500lm	8000lm	9500lm
Beam Angle	X-116° / Y-115°				
Frequency	50 / 60 Hz				
Degree of Protection	IP67 / NEMA 6				
Material	• Enclosure • Cover	Aluminum alloy PC Cover			
LED Service Life	60,000 hrs				
Entrance Thread	1 × M25				



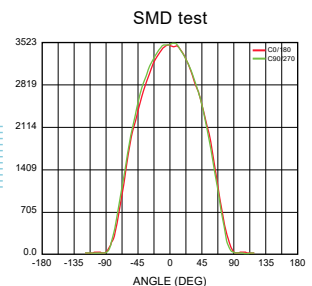
Dimension in Millimeters (inches)

Optical Report

Polar Luminous Intensity Distribution



Luminous Intensity Distribution Diagram



Model Code

THT	H	1403	Z	C	K	W	1	I5	WHT	
							①	②	③	④

① **C.C.T.**

C=Cool White
W=Warm White

② **Voltage**

1=110V
2=220V
9=277V

③ **Wattage**

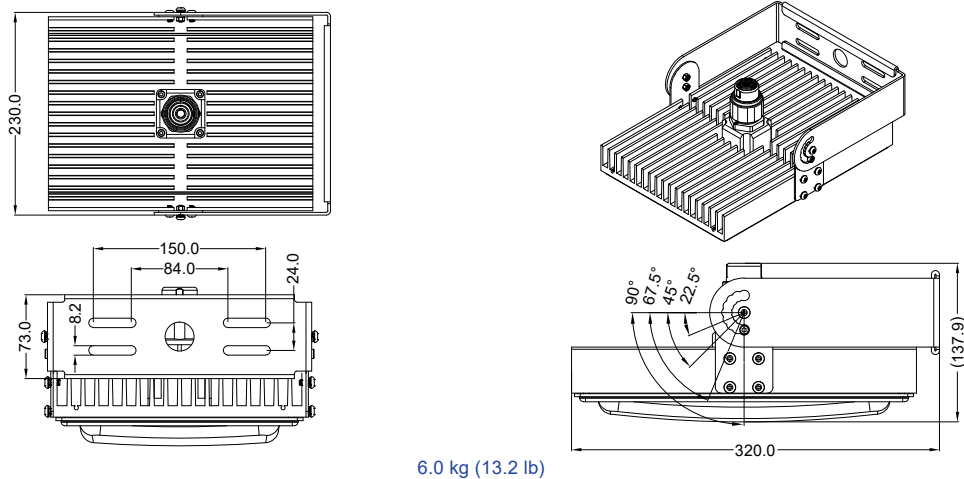
F5=65W, G5=75W
H0=80W, I5=95W

④ **Mounting Bracket Type**

WHT=Wall Hanging mount
SL=Street Light

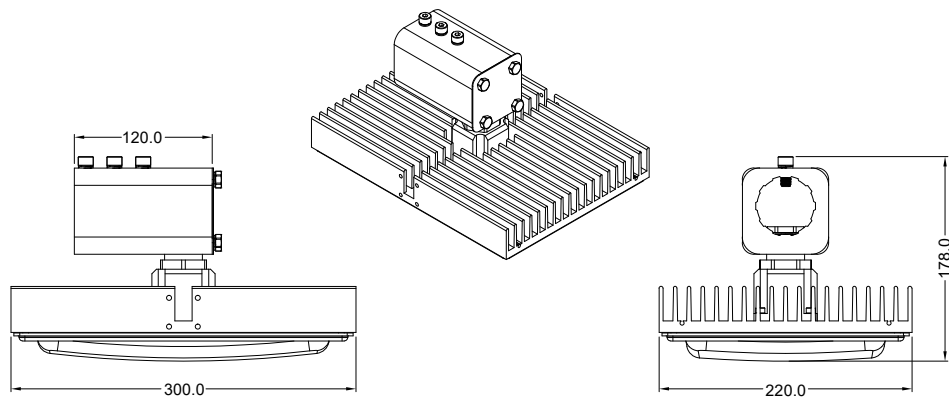
Mounting Option & Dimensions (All in mm)

Wall Hanging Mount (WHT)



6.0 kg (13.2 lb)

Street Light (SL)



6.2 kg (13.6 lb)

Applicable Area

- Oil Refinery Complex
- Petrochemical Complex
- Painting Facility
- Transporting Nature Gas
- Transporing Liquefied Petroleum Gas
- Offshore Platform (Oil and Natural Gas)